

FOUNTAIN TECHNOLOGY & LAKE MANAGEMENT

CATALOGUE FOR DEALERS AND DISTRIBUTORS



CONTENTS

Impressions	4
-------------------	---

NOZZLES

Controllable Nozzles

Jumping Jet Rainbow Star	12
Jumping Jet Rainbow Flash	14
Vario Switch.....	16
Multi Directional Drive.....	18
Air Nozzle.....	20
FlashWall	22

Classic Nozzles

Comet-Silver	26
Comet T	28
Hollow Jet nozzles	30
High Jet / Geysir Jet.....	32
Lava.....	33
Water sphere / hemisphere.....	34
Gushing nozzle / Fan Jet.....	36
Water Screen Nozzle.....	38
Grand Vulcan / Trumpet Jet.....	40
Vulcan	41
Rotating Nozzle	42
Schaumspudler	44
Cascade	48
Geysir	52
Mylar Lace.....	56

FLOATING FOUNTAINS

Pond-Jet.....	60
MIDI II/MAXI II.....	62
Fountain attachments	64
Illumination sets	66

PUMPS

Controllable Pumps

Varionaut.....	70
----------------	----

Classic Pumps

Water feature pumps.....	78
Universal pumps	82
Block centrifugal pumps.....	84
Submersible motor-driven pumps.....	86

ILLUMINATION

LED Technology

RGB-LED light	94
ProfiLux LED 320 /DMX/02.....	94
ProfiRing LED 320 /DMX/02.....	96
ProfiPlane LED 320 /DMX/02.....	98
Underwater LED Driver /DMX/02	100
Warm white light	
ProfiLux LED 370 12 V /01.....	102
ProfiLux LED 370 24 V /01.....	102
LunAqua 10 LED /01.....	102

Halogen spotlights

ProfiLux 101 E	104
LunAqua 10	104
LunAqua 5.1.....	106
UWS TN 508.....	106
UWS T 111/TS 111.....	108
Lamp Holder	110
Freestand Light	110

POWER – MEASURE – CONTROL– REGULATE

Cable transition armatures	114
Underwater cable connectors	116
Connection cable 12V AC/24 V DC	118
Connection cable DMX	120
Extension cable hybrid.....	120
Electrical control systems	124
Easy Control.....	126
WECS 1024 and 2048	128
Water level regulators.....	132
Solenoid valves	132
Water level sensors	134
Wind level fountain controller	136
Command Center.....	138

WATER QUALITY

Configuration chart.....	142
Aerators page	144
UVC Clarifiers	148
Flow through filters.....	150
Modular filters	152
Crystal quartz sand filter.....	162
»Clear Fountain System«.....	166
Water treatment	167
»Clear Lake System«.....	168
Surface skimmers	170
Water quality.....	172

SWIMPOND

Care and treatment.....	176
SwimPond individual.....	178

ACCESSORIES

Underground niches	182
Floor drain armatures.....	184
Overflow / Drain armatures.....	186
Return armatures.....	188
Inflow nozzles	190
Floor-/wall transitions	190
Overflow-/return armatures	192
Suction filter baskets.....	194
Fittings.....	196

MISCELLANEOUS

Alphabetical Product Overview.....	198
Product Overview by order no	200
Explanatory notes.....	202
New product names.....	203
List of abbreviations.....	203
Conversion tables	204
Order-related products	205
OASE-Commercial Quickfinder	206



Dear OASE Partner,

We are very pleased to introduce our new handbook, “Fountain Technology & Lake Management”, to you. As an internationally active enterprise, we ensure enthusiasm in more than 95 countries every day with breathtaking shows of water and light. We would like to impart this passion to you with our innovative new products and ingenious ideas. Here is our news: Here is our news:

Innovative and clever: The new products

This year we are particularly proud of our innovations in the product areas of remote activation DMX/RDM pumps, LED lighting in RGB and high-quality fountain nozzles and fittings.

The new generation of **Varionaut pumps** convinces with clever DMX activation, which is failsafe thanks to symmetric data transmission. Now all pumps of this series are compatible with the new generation of RMD technology. Because this “Remote Device Management” communicates bi-directionally in the component network of pumps, spotlights, and nozzles, the

entire installation is extremely easy - simply “Plug and Spray”!

For you this means: intelligent, easy and direct activation of these pumps!

Likewise, the new product series of **LED illumination in RGB** is also based on DMX/RDM communication. These lights can be used flexibly in different installation situations, bringing fascinating colours into every water creation. Extremely robust in workmanship, they can be used in any kind of water: fresh water, pool water or salt water.

The new **Comet fountain nozzles** now have a modern stainless steel look. Thanks to a special high quality chrome plated and nickel-plated brass, they are perfect for every installation site.

This product network is rounded off with an extensive assortment of **fittings**. With these clever connection modules, you now have the optimally matched elements for installation of OASE components, systems and projects.

Application example



Quickfinder:

Product performance

	Fresh Water	Pool Water	Sea Water	220-240 V	400 V	110-120 V	50 Hz	60 Hz	12 V AC	24 V DC	DMX	DMX/RDM	Plug and spray
Varionaut 90 24V/DMX/02	✓	✓	✓	✓	✓	✓	✓	✓	✓	✓	✓	✓	✓
Varionaut 1 /A/DMX/01	✓	✓	✓	✓	✓	✓	✓	✓	✓	✓	✓	✓	✓

Product name

VARIONAUT 90 24V/DMX/02, VARIONAUT 1

A 24 V/DC indoor and outdoor fountain pump which is suitable for underwater application directly below the nozzles. It fulfills the national regulations of DC current up to 30 V. Any single pump can be individually regulated and controlled via the DMX/RDM connection. That way dynamic water effects can be created easily.

other consumer loads (e.g. LED spotlights) can be connected easily to DMX/RDM of the pump.

Product characteristics at a glance

- 24 Volt DC continuous current indoor and outdoor fountain pump
- Can be placed directly below the nozzles in the water as DC up to 30V/DC is approved by national regulations
- Suitable for wet or dry installation
- Power consumption of max. 53 W
- Reverse polarity protection
- 1m power cable with power box and 1m DMX cable with DMX box
- Frost protected up to -20° C
- IP 68 rated

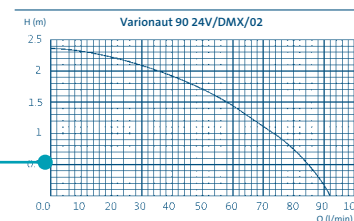
Product characteristics at a glance

The Varionaut 90 or Varionaut 1/A itself produces water displays of up to 1.90 m height – in combination with Comet 5-8 Silver nozzles. It comes with a high-quality stainless steel filter housing, along with 2 connection boxes for the 24 V power supply (only the Varionaut 90) and DMX data source. Through this special connection technology, wiring by hand is no longer necessary. Spotlights and

Product image



Varionaut 90 24V/DMX/02



Pump performance curve

Note:

Further information can be found at the back.

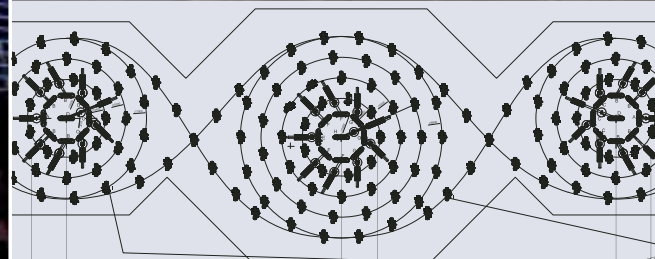
	Product performance	Product performance
Product name	✓	✓
	yes	no

Fast and easy: The new Quickfinder

In addition to passion for these innovative new products, it is just as important to us that you maintain an overview, as well. The clever Quickfinder has now been newly developed to find the core features and advantages of the products at a glance. In seconds you know whether the pumps work with a frequency of 50 or 60 Hz and 12 or 24 V, whether they have a DMX controller or already have a DMX/RDM controller, or whether they are suitable for fresh water, pool water or salt water.

Reliable and precise: OASE quality assurance

“German engineering”, lasting quality and premium workmanship are our guideline principles. We place extremely rigorous demands on our quality assurance, so that you can rely on us 100%. Equipped with state-of-the-art quality management control mechanisms, we are able to deliver products of the highest quality to you.



DISCOVER THE WORLD OF OASE FOUNTAIN TECHNOLOGY AND LAKE MANAGEMENT

1. Design and product development from Germany

OASE has been passionate about water for decades. It is in larger-dimensioned projects in particular that we can really live out this passion. With fascinating choreographies of water and light effects, we create enthusiasm and make every show an unforgettable experience. Consequently, we place great value on unusual and breathtaking designs, unique in terms of creativity and innovation. Our engineers in Germany work daily on implementing these customized ideas in detailed planning and reliable product development. Our German engineering guarantees first-class product functions and high-quality workmanship. Thanks to the clever system technology from OASE, our products are perfectly matched, thus enabling entirely individual combinations.

Discover our latest breathtaking show project “Crane Dance” at www.oase-livingwater.com.

2. Project-accompanying engineering and reliable after-sales service

Each project demands the utmost concentration, commitment, reliability and most of all, punctuality. The larger the project, the more complex the collaboration in the entire network of the participating partners. Consequently, it is particularly important for us to support each of our partners to the best of our ability during the construction phase. With competent and professional consulting, detailed planning and understandable drawings, we are available 24/7. Even after completion of a project, we are there for our partners with fast and uncomplicated support.

Where partnership matters, you can count on us!



3. Environment and safety

As a leading supplier in things dealing with water, the environment is of special concern to us. Consequently we also contribute extensively to conservation of resources; we do not take clean water and a permanent energy supply for granted. As a “green company”, we have focus on energy-saving products that achieve the highest possible performance with the lowest possible energy consumption. This energy efficiency is of particular benefit for products that are designed for continuous operation, such as our Varionaut pumps and LED-lights.

Environmental compatibility during the entire production process is vitally important to us. Constantly working on integrating even more efficiency and environmental consciousness, underline our commitment to nature conservation.

In addition to innovation, long service life and reliability, OASE also stands for safety.

This is why we have developed a unique IP 68 underwater connection technology (patent applied for) that functions perfectly even in sea water and where chlorine is used. The optimally matched system, consisting of connecting cables, transformers, and power units, guarantees, through the axial flat seal with integrated capillary barrier, transverse and longitudinal water impermeability in water up to 4 meters deep - and in the cable plugs, as well as in the associated connection boxes (Power Box and DMX Box).

Thus, installation of the entire plug system is extremely safe; the reverse polarity protected 24 V DC plugs prevent short circuiting.



4. Effective manufacturing processes

In a project many processes run simultaneously toward a final goal. Consequently, it is indispensable for us to work together closely right from the start. Our effective processes guarantee a smooth production procedure, where we place particular value on workmanship of high-quality and durable materials and continuous quality control. Moreover, our experts are constantly working on optimizing the manufacturing steps to ensure the best performance for you.

5. Quality assurance with sophisticated testing Technology

The key to OASE's success is being able to fulfil requirements and expectations of our customers. Therefore, we need high quality products and well organized business processes.

Our team of engineers and technicians use modern quality management tools to guarantee a stable high quality level of our products and successful project management. E.g. Failure Mode and Effects Analysis, MeanTime to Failure-calculation and complex test procedures ensure an error-free function of our innovative products. Shop floor management and statistical process control are the basis for our continuous process improvement on our production lines. Our entire supply chain is controlled by our quality engineers. An excellent long term business relationship to our suppliers leads to high flexibility in our project management.



6. OASE project management



The OASE management concept sees itself as a network manager that combines all service performance in every aspect of the project. From an initial idea our designers produce fascinating creations of water and light which are then implemented by OASE Project Management in real multimedia fountain installations. For the entire project duration from design, engineering, followed by production and installation, to hand over and finally after-sales service, OASE is your turnkey partner.

OASE project management places the utmost value on adhering to deadlines, budget and quality.

7. OASE website



Be inspired! In the global OASE network of premium partners, reliable service, first-class product systems and individual components, unique creations which captivate are produced. Discover how OASE projects are fascinating people around the world!

In addition to graphic and video material, you will also find detailed information on the products used.

Here you will find new inspiration and ideas for your planning - it's easy at www.oase-livingwater.com

If you wish to know more, our worldwide sales team is there for you at any time. Simply contact us:

Contact OASE
www.oase-livingwater.com/oasecontact

Contact the OASE premium partners
www.oase-livingwater.com/oasedealer

MARDAN PALACE HOTEL**Location:****Antalya, Turkey**

Reminding of Arabian Nights, the site of Mardan Palace Hotel in Antalya, Turkey is one of the most exclusive Hotels in the Mediterranean. The installation combines water with laser and LED light and impresses by underlining the unique terrace architecture.

OASE reference object



CONTROLLABLE NOZZLES

WATER HAS A THOUSAND FACES. SOMETIMES IT SHOOTS UP HIGH, THEN SPLASHES AND BUBBLES EXUBERANTLY, OR IT IS TOTALLY STILL AND GENTLE. AND IT DOES ALL OF THIS WITH NOZZLES FROM OASE.

Every location has its very special unique atmosphere. A public square, in the heart of the city looks different in Paris than it does in Dubai. An artistically designed park can give a sense of tranquil strength or contemplative well-being. Spray fountains and fountains from OASE enable you to experience and engage with the particularities of a location and to use water to the best advantage of that location. Depending on the form and size of a water feature you can effectively enhance the location's atmosphere or introduce an exciting counterpoint. And you are always co-designer of this location; director on the wonderful stage of life.

The OASE product range offers you a variety of possibilities to place your creativity and intuition at the service of a particular location and to vitally shape its atmosphere with water.

We tell classic nozzles from controllable nozzles. Controllable nozzles are nozzles which could be electronically controlled to provide a range of effects. For example the nozzle Jumping Jet Rainbow Flash is DMX/RDM controlled. We can cut the water stream or close the water stream, using individual controlled systems.

The classic nozzles, for example the Comet or Schaumsprudler nozzle have a static and pre-determined. If these nozzles are combined with controllable Pumps (Varionaut) then the interactive and display possibilities increase. When combined with classic pumps they produce a more conventional static water display.



Jumping Jet Rainbow Flash II

• Controllable Nozzles

Jumping Jet Rainbow Star	page 12
Jumping Jet Rainbow Flash	page 14
Vario Switch	page 16
Multi Directional Drive	page 18
Air Nozzle	page 20
FlashWall	page 22



	Fresh Water	Pool Water	Sea Water	220-240 V	400 V	110-120 V	50 Hz	60 Hz	12 V AC	24 V DC	DMX	DMX/RDM	Plug and Spray
Jumping Jet Rainbow Star	✓	✓	✓	✓	✓	✓	✓	✓	✓	✓	✓	✓	✓

JUMPING JET RAINBOW STAR

Water jets magically shoot through the air in broad arcs and disappear, just as unexpectedly as they appeared – Jumping Jet systems are the attraction in leisure parks and amusement parks, in discotheques, at trade shows, exhibitions, and other events.

The combination possibilities give the system an individual flair: The colour of the integrated RGB-light can be freely selected and can be supported in its effect by numerous switchable run-

ning light functions. Alternatively the laminar water jet can also have a cutting effect to produce short sections of laminar water.

Product characteristics at a glance

- Can be used indoors and outdoors
- Selectable RGB-LED light
- Switchable running light function
- Laminar water jet
- Cut off function



Jumping Jet Rainbow Star



Jumping Jet Rainbow Star



Technical note

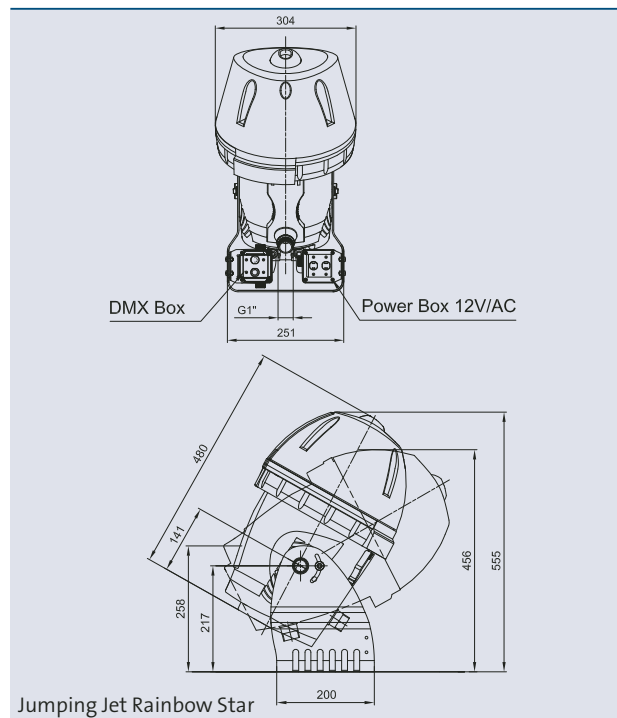
With the respective pump and control technique you can reach different water parabolas (see graphic below). An ideal pump for these effects is the **Varionaut**, see pages 70-75.

When operating the Rainbow-Star, water can splash, particularly with water jets that are shot quickly in succession; the amount is approx. 2 litres per hour. The amount of splash water is negligible if the water jet is operated as a full, continuous parabola (see graphic).

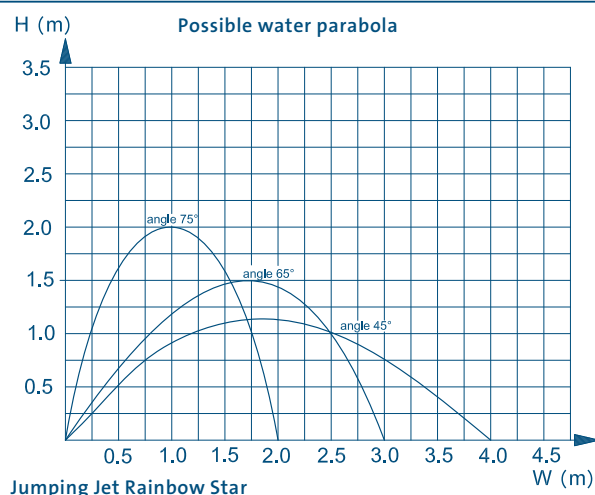
The water must be clean in order to transport light via the water jet. The target point can only be illuminated by the parabola if the water is clear.

Accessories (must be ordered separately)

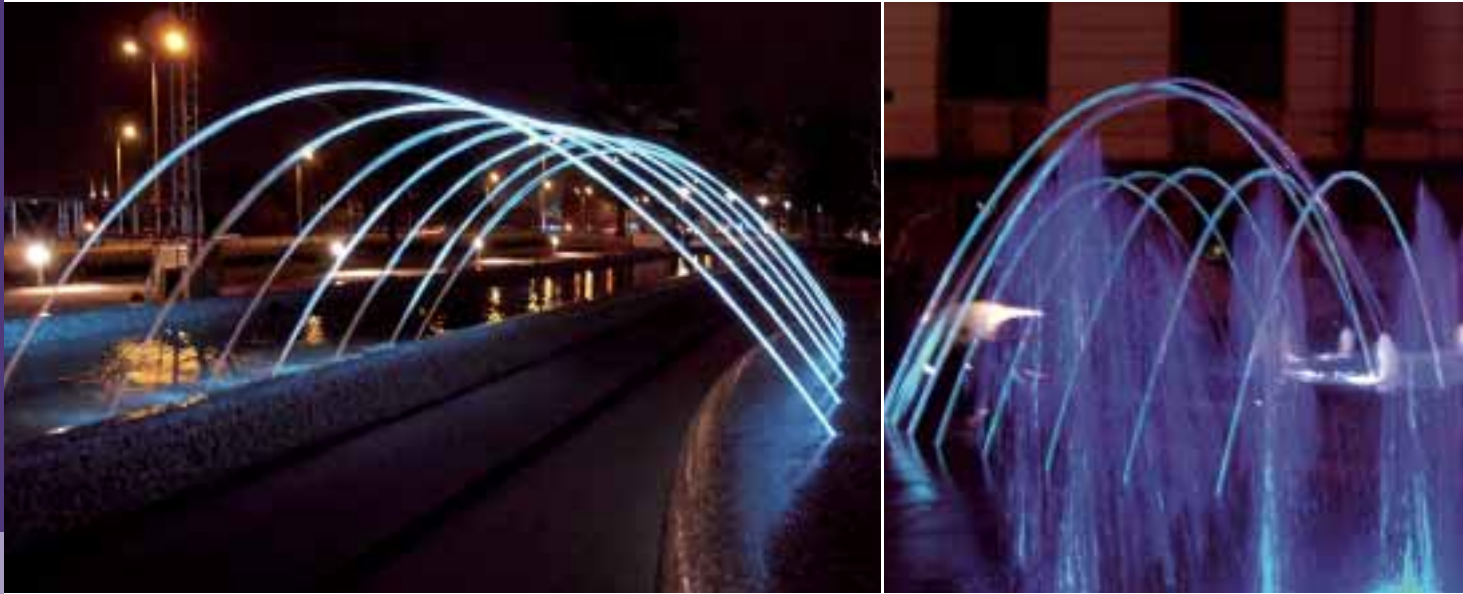
Aquarius Universal 5000 (see page 78)	56617
Installation kit JumpingJet Rainbow Star (see page 197)	51058
Connecting cable DMX/01 (see page 120)	Order no.
Connecting cable DMX/1.0 m/01	12368
Connecting cable DMX/3.0 m/01	12369
Connecting cable DMX/5.0 m/01	12371
Connecting cable DMX/10.0 m/01	12372
Connecting cable DMX/20.0 m/01	12373
End Resistant for Bus-System DMX/01	12007
Connecting cable 12V AC/01 (see page 118)	Order no.
Connecting cable 12V AC /1.0 m/01	12768
Connecting cable 12V AC /3.0 m/01	12374
Connecting cable 12V AC /7.5 m/01	12375
Connecting cable 12V AC /15.0 m/01	11740
PowerBox 12 V AC / 01 (see page 118)	50493
Underwater transformer UST 150 / 01 (see page 122)	50401
Underwater transformer UST 150 / A / 01 (s. page 122)	50517
Easy Control (see page 126)	50289
Easy Control (see page 126)	50175
WECS 1024 (see page 128)	50596
WECS 2048 (see page 128)	50597



45° Parabola	Jumping Jet Rainbow Star /DMX/01		
Fountain width [m]	DWB [l/min]	DDB [bar]	Fountain height [m]
1.5	16	0.10	0.68
2	20	0.12	0.81
3	24	0.17	1.04
4	28	0.22	1.28
Order no.	50345		



Jumping Jet Rainbow Star /DMX/01	
Dimensions (L x W x H)	[mm] 478 x 305 x 555
Light type	LED RGB multiple spotlights
Rated voltage (mechanical/illumination) [V/AC]	12
Power consumption (mechanical/illumination) [W]	33
Jet diameter	[mm] 12
Min. water depth	[mm] 200
Max. water depth	[mm] 300
Vertical pivoting range	[°C] 45 – 90
DMX connection	1 x
Material	stainless steel/plastic
Weight	[kg] 11 kg
Order no.	50345



	Fresh Water	Pool Water	Sea Water	220-240 V	400 V	110-120 V	50 Hz	60 Hz	12 V AC	24 V DC	DMX	DMX/RDM	Plug and Spray
Jumping Jet Rainbow Flash	✓	✓	✓	✓	✓	✓	✓	✓	✓	✓	✓	✓	✓

JUMPING JET RAINBOW FLASH II / DMX / 02

The new generation of Jumping Jet Rainbow Flash combines functionality and virtually unlimited creative freedom. Now the Jumping Jet Rainbow Flash II can be arranged wet or dry. This generation can be used without water cooling.

The combination possibilities give the system an individual flair: The laminar water jet can also have cutting effects. The colour of the integrated RGB-light can be freely selected. Now it is possible using only one rated voltage of 12V/AC and only one control box of DMX/RDM for illumination and mechanic.

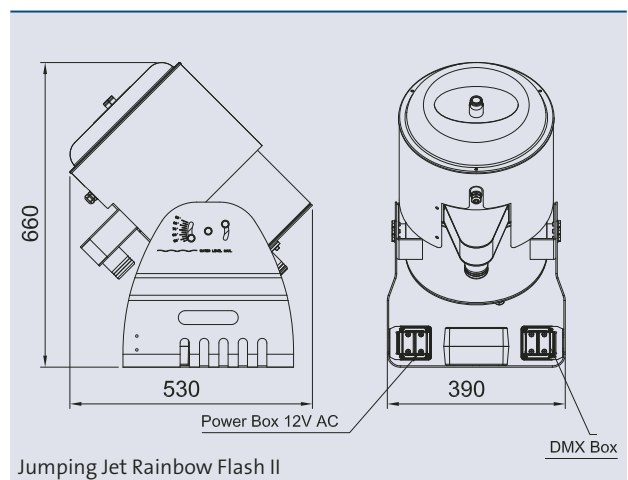
INNOVATION – MADE BY OASE



Jumping Jet Rainbow Flash II

Product characteristics at a glance

- Can be used indoors and outdoors with dry installation technology
- Surprising water features, dynamic parabola possible
- Precise, crystal clear water jets
- Jet diameter 18 mm
- Integrated illumination effects with strong RGB-LED light
- Cut off function
- RDM-DMX capable (combine with WECS)
- Vibration-free, quiet operation
- Extremely stable - with or without floor anchoring
- Compact stainless steel design
- Sea water Jumping Jet Rainbow Flash II on request



Jumping Jet Rainbow Flash II

Technical note

When operating the Rainbow-Flash, water can splash, particularly with water jets that are shot quickly in succession; the amount is approx. 2 litres per hour. The amount of splash water is negligible if the water jet is operated as a full, continuous parabola.

The water must be clean in order to transport light via the water jet. The target point can only be illuminated by the parabola (see graphic on right) if the water is clear.

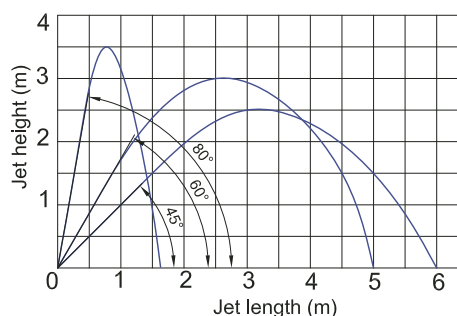
45° Parabola		Jumping Jet Rainbow Flash II/DMX/02	
Fountain width	DWB [l/min]	DDB [bar]	
1.25 m	30	0.10	
2.00 m	36	0.15	
3.00 m	46	0.20	
4.00 m	54	0.25	
5.00 m	63	0.30	
6.00 m	72	0.35	
Order no.		50528	

A

*Hose to be laid without sharp bends
*Hose outlet must be free and over water level

	X Tube length [m]	Y min [m]
45°	0-3	0.1
	4	0.5
	5	1
	6	1.5
	6	1.5
80°	0-3	1
	4	1
	5	1.5
	6	1.5

B



Accessories (must be ordered separately)

Atlantis 100 (see page 79)	51038
Connecting cable DMX/01 (see page 120)	Order no.
Connecting cable DMX/1.0 m/01	12368
Connecting cable DMX/3.0 m/01	12369
Connecting cable DMX/5.0 m/01	12371
Connecting cable DMX/10.0 m/01	12372
Connecting cable DMX/20.0 m/01	12373
End Resistant for Bus-System DMX/01	12007
Connecting cable 12V AC/01 (see page 118)	Order no.
Connecting cable 12V AC /1.0 m/01	12768
Connecting cable 12V AC /3.0 m/01	12374
Connecting cable 12V AC /7.5 m/01	12375
Connecting cable 12V AC /15.0 m/01	11740
PowerBox 12 V AC / 01 (see page 118)	50493
Underwater transformer UST 150 / 01 (see page 122)	50401
Underwater transformer UST 150 / A / 01 (see page 122)	50517
Easy Control (see page 126)	50289
Easy Control (see page 126)	50175
WECS 1024 (see page 128)	50596
WECS 2048 (see page 128)	50597

Jumping Jet Rainbow Flash II / DMX / 02		
Dimensions (length/width/height)	[mm]	530x390x660
Light type		LED RGB multiple spotlight
Rated voltage mechanic and illumination	[V/AC]	12
total consumption	[W]	20
Jet diameter	[mm]	Ø18
Max. water parabola laminar with light	[m]	6
Max. water parabola laminar	[m]	7
Max. pressure	[bar]	0.5
Max. water depth (wet installation)	[mm]	250
Vertical pivoting range	[°C]	45 - 90
Pressure side connection		Hose connection 1 1/2"
Outflow side connection		Hose connection 2"
RDM-DMX connection		1 box
Number of DMX channels		8 channels, start number 1
Material		Stainless steel / UV stabilized polymer
Weight	[kg]	50
Environmental condition: submersible application	[°C]	Water temperatur: min 4°C to max. 35°C
Environmental condition: dry application	[°C]	Ambient temperature: max. 30°C with natural convection, max. 40 with forced convection, no direct sun exposure permitted
Order no.		50528

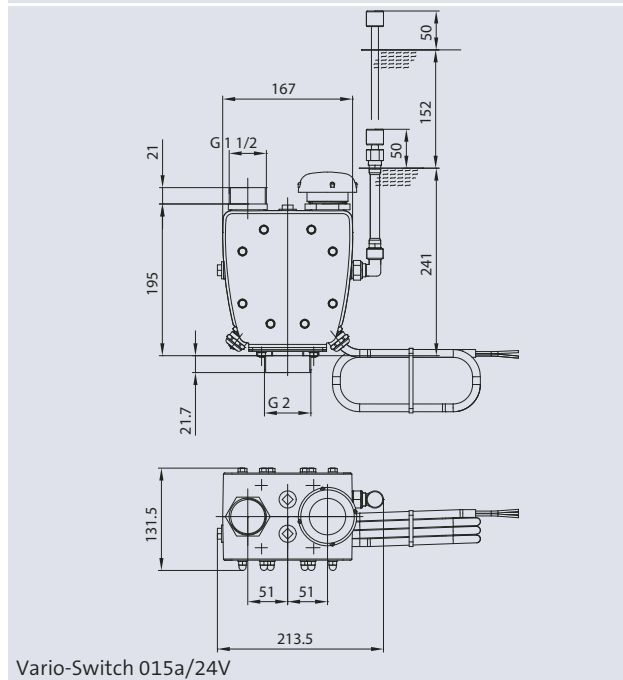
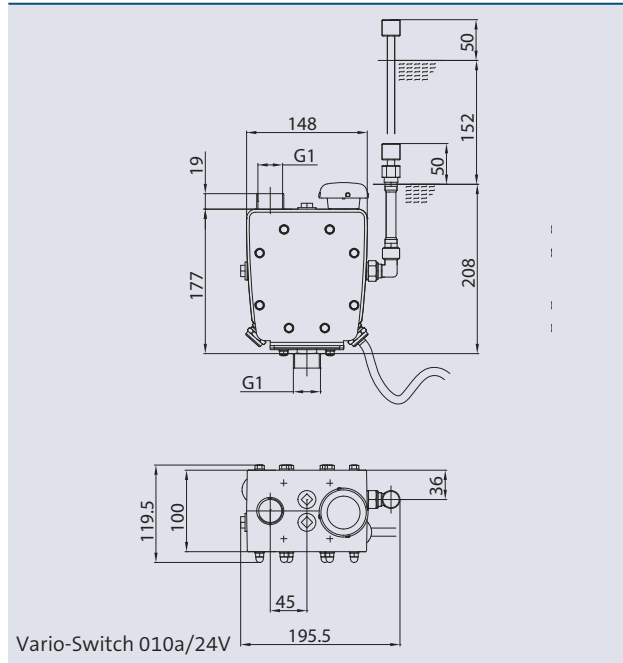


	Fresh Water	Pool Water	Sea Water	50 Hz	60 Hz	12 V AC	24 V DC
V.Switch 010a/12 V							
V.Switch 010a/24 V							
V.Switch 015a/12 V							
V.Switch 015a/24 V							

V A R I O - S W I T C H

Product characteristics at a glance

- Dynamically variable water effect for musical water organs or interactive water effects
- Thanks to the Coanda effect switchover is virtually executed without pressure loss
- Power-saving electrical valve technology
- Stable construction and stainless steel side pieces
- With four-core connection cable provided by contractor
- Low maintenance if there are good water conditions
- No-maintenance membrane valves



In musical water organs or other spray fountain installations with dynamic elements water becomes lively with help from Vario switch systems.

This water switch is combined with a suitable nozzle and switches between two outputs – similar to a 3/2-way valve – almost without pressure loss and without water hammer effects in the lines. Normally one of those outputs is used as a pure bypass, however a second nozzle can also be mounted.

The air supply for alternately switching atmospheric pressure on and off is executed via the telescopic tube using the so-called Coanda effect. Switchover time is flow dependent and times of 0.1 s are certainly achievable.

Accessories (must be ordered separately)

	Order no.
Comet 10-12 T (see page 28)	50968
Comet 10-14 T (see page 28)	50969
Comet 15-17 T (see page 28)	50970
Comet 10-14 T Silver (see page 26)	50723
Comet 15-17 T Silver (see page 26)	50724
Schaumsprudler 35-10 E (see page 44)	50984
Schaumsprudler 55-15 E (see page 44)	50987

Water flow and pressure requirements of the Vario-Switch with different nozzles

Model	Vario-Switch 010a/12V + Vario-Switch 010a/24V						Vario-Switch 015a/12V + Vario-Switch 015a/24V			
	Comet 10-12T		Comet 10-14T		Schaumsprudler 35-10E		Comet 15-17T		Schaumsprudler 55-15E	
Nozzle	DDB	DWB	DDB	DWB	DDB	DWB	DWB	DDB	DDB	DWB
Fountain height [m]	bar	l/min	bar	l/min	bar	l/min	bar	l/min	bar	l/min
0.50	0.21	27	0.25	31	0.42	38	0.16	100	0.50	158
1.00	0.35	37	0.46	40	0.72	49	0.22	123	0.92	209
1.50	0.60	46	0.66	48	0.98	57	0.32	137	1.42	255
2.00	0.72	50	0.86	55	1.22	63	0.42	154	1.92	291
2.50	0.86	55	1.06	61	1.52	70	0.52	168	2.48	322
3.00	1.02	60	1.32	67	1.80	76	0.62	181	2.80	343
3.50	1.22	65	1.55	73	2.10	81	0.72	192		
4.00	1.38	70	1.82	79			0.82	202		
4.50	1.64	75	1.96	82			0.92	214		
5.00	1.82	80	2.18	87			1.02	218		
5.50	2.10	85	3.00	96			1.12	230		

VarioSwitch		010a/12V	010a/24V	015a/12V	015a/24V
Dimensions (LxWxH)	[mm]	150 x 120 x 210	150 x 120 x 210	170 x 130 x 240	170 x 130 x 240
Nominal voltage		12V / AC	24V / DC	12V / AC	24V / DC
Power consumption	[W]	2 x 8	2 x 8	2 x 8	2 x 8
Flow rate min.	[l/min]	35.0	35.0	85.0	85.0
Flow rate max.	[l/min]	95.0	95.0	325.0	325.0
Pressure min.	[bar]	0.1	0.1	0.2	0.2
Pressure max.	[bar]	3.4	3.4	3.0	3.0
Protection class		IP 58	IP 58	IP 58	IP 58
Strainer	[ø mm]	2	2	2	2
Material		Polyacetal / Stainless steel	Polyacetal / Stainless steel	Polyacetal / Stainless steel	Polyacetal / Stainless steel
Weight	[kg]	5.2	5.2	6.7	6.7
Cable length	[m]	2.0	2.0	2.0	2.0
Order no.		50253	57472	50254	57435



	Fresh Water	Pool Water	Sea Water	220-240 V	400 V	110-120 V	50 Hz	60 Hz	12 V AC	24 V DC	DMX	DMX/RDM	Plug and Spray
Multi Directional Drive	✓	✓	✓	✓	✓	✓	✓	✓	✓	✓	✓	✓	✓
LED Modul II 960 / DMX / 02	✓	✓	✓	✓	✓	✓	✓	✓	✓	✓	✓	✓	✓

MULTI DIRECTIONAL DRIVE II /DMX/02

Unique and limitless in its motion: The multidirectional drive sets a new standard in water design.

Thanks to its pivoting range of 200 degrees on the x-axis and 140 degrees on the y-axis, the mobility of the Multi Directional Drive hardly knows any limits and allows countless impressive water effects. It is suitable for a variety of nozzles such as precision or fan nozzles.

Product characteristics at a glance

- Multidimensional Drive, suitable for different nozzle patterns (Comet Prec 20-20 Silver or fan jet 10-20-6 Silver)
- Pivoting range up to 200°/3 sec. on the x-axis and 140° on the y-axis
- 2"-thread nozzle, 2 ½"-thread water
- Robust stainless steel construction
- Controllable by OASE RDM-DMX Devices
(not included in scope of delivery)
- Energy efficient motor, 24 V/ DC

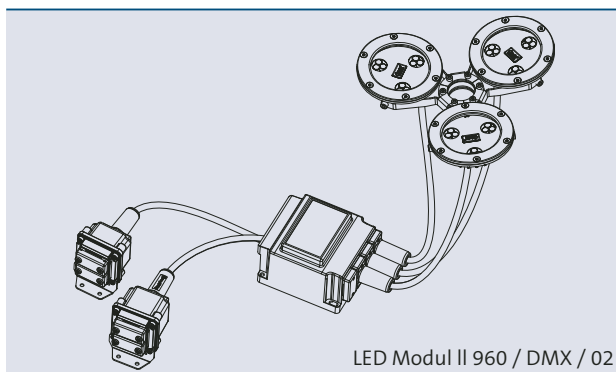
INNOVATION – MADE BY OASE



INNOVATION – MADE BY OASE



	Comet Prec 20-20 silver		Fan Jet 10-20-6 Silver			MDD	Comet Prec 20-20 S on MDD		Fan Jet 10-20-6 S on MDD		
Dimensions (ø x H mm)	60 x 460		65 x 345				ca. 700 x 420 x 1060		ca. 700 x 420 x 935		
Fountain height	DWB	DDB	SPB	DWB	DDB	DDB	DWB	DDB	SPB	DWB	DDB
	l/min	bar	m	l/min	bar	bar	l/min	bar	m	l/min	bar
1.00 [m]	90	0.12	2.00	134	0.13	0.04	90	0.14	2.00	134	0.27
1.50 [m]	102	0.17	3.00	165	0.19	0.06	102	0.21	3.00	165	0.40
2.00 [m]	117	0.22	4.10	195	0.27	0.08	117	0.28	4.10	195	0.55
4.00 [m]	170	0.46				0.11	170	0.51			
6.00 [m]	227	0.69				0.13	227	0.82			
8.00 [m]	263	0.92				0.15	263	1.07			
10.00 [m]	295	1.16				0.18	295	1.34			
12.00 [m]	323	1.40				0.19	323	1.59			
16.00 [m]	385	1.90				0.25	385	2.15			
20.00 [m]	441	2.40				0.35	441	2.75			
Material	Stainless steel										
Weight [kg]	1.55		1.20			ca. 45/35	ca. 46/36		ca. 46/36		
Order no.	50523		50524			50702	50523 + 50702		50524 + 50702		



LED Modul II 960 / DMX / 02

LED Modul II 960 / DMX / 02	51069
-----------------------------	-------

Accessories (must be ordered separately)

Comet Prec 20-20 silver (see page 26)	50523
---------------------------------------	-------

Fan Jet 10-20-6 silver	50524
------------------------	-------

Underwater power supply 250 / 24 V / 01 (see page 122)	50733
--	-------

Connecting cable DMX/01 (see page 120)	Order no.
--	-----------

Connecting cable DMX/1.0 m/01	12368
-------------------------------	-------

Connecting cable DMX/3.0 m/01	12369
-------------------------------	-------

Connecting cable DMX/5.0 m/01	12371
-------------------------------	-------

Connecting cable DMX/10.0 m/01	12372
--------------------------------	-------

Connecting cable DMX/20.0 m/01	12373
--------------------------------	-------

End Resistant for Bus-System DMX/01	12007
-------------------------------------	-------

Connecting cable 24V DC/01 (see page 118)	Order no.
---	-----------

Connecting cable 24V DC /1.0 m/01	12762
-----------------------------------	-------

Connecting cable 24V DC /3.0 m/01	12552
-----------------------------------	-------

Connecting cable 24V DC /7.5 m/01	12553
-----------------------------------	-------

Connecting cable 24V DC /15.0 m/01	11720
------------------------------------	-------

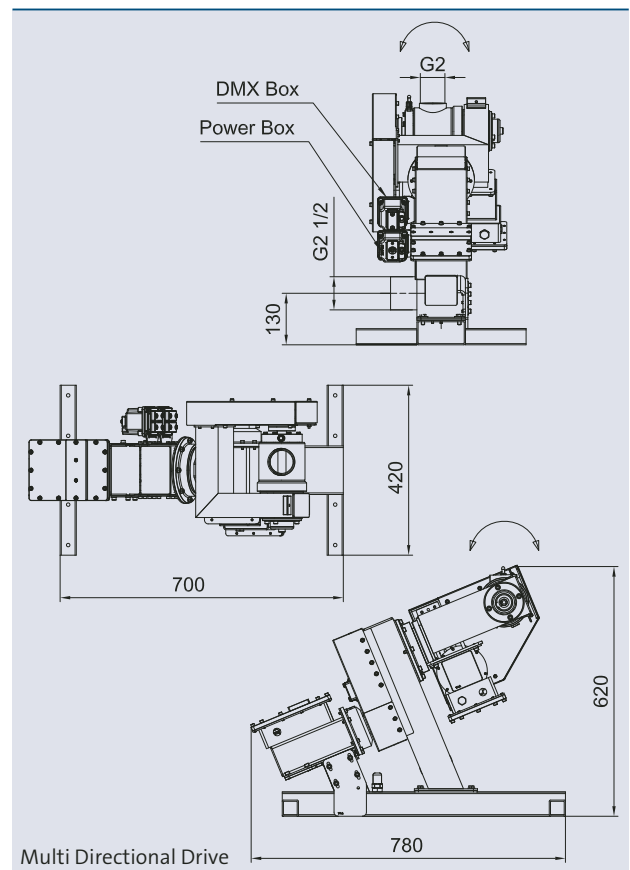
PowerBox 24 V DC / 01 (see page 118)	50493
--------------------------------------	-------

Easy Control (see page 126)	50289
-----------------------------	-------

Easy Control (see page 126)	50175
-----------------------------	-------

WECS 1024 (see page 128)	50596
--------------------------	-------

WECS 2048 (see page 128)	50597
--------------------------	-------



Multi Directional Drive

Multi Directional Drive II / DMX/02

Dimensions (L x W x H)	[mm]	700 x 420 x 600
Nominal voltage	[V/DC]	24 V / DC
Power consumption	[W]	53 W
Nominal current	[A]	2.2 A
Max. operation pressure	[bar]	3.5 bar
Protection class		IP 68
Power connection		with box
RDM-DMX connection		with box
Material		Stainless steel
Weight	[kg]	ca. 45 kg
Order no.		50702



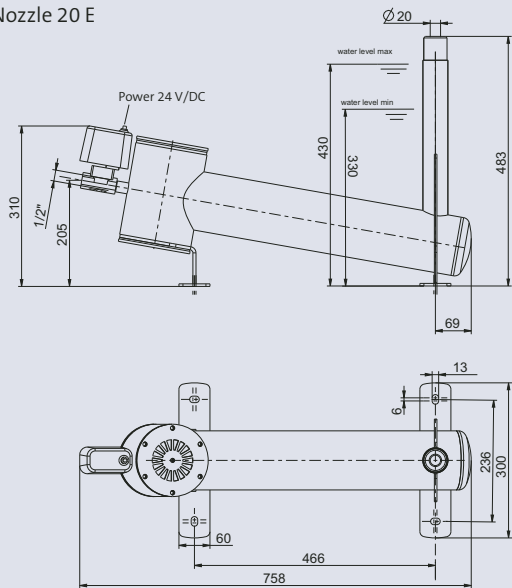
	Fresh Water	Pool Water	Sea Water	220-240 V	400 V	110-120 V	50 Hz	60 Hz	12 V AC	24 V DC	DMX	DMX/RDM	Plug and Spray
Air Nozzle													

AIR NOZZLE 20 E / 24 E

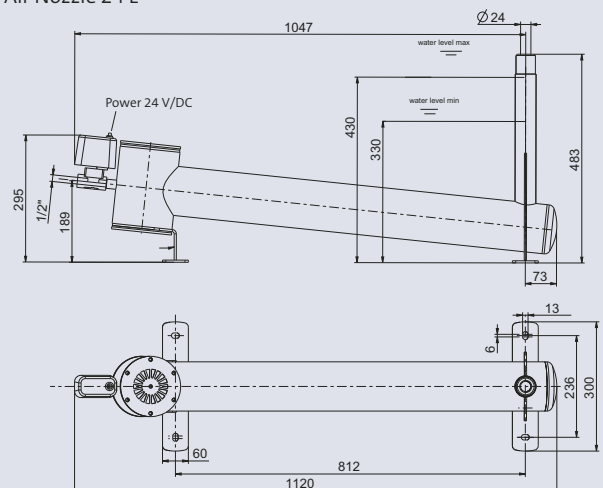
Product characteristics at a glance

- Compact, robust stainless steel Air Nozzle
- Includes IP68 solenoid valve for underwater use
- Short refill time – 6 shots per minute
- For fountains of up to 15 m or 21 m height
- Air Nozzle 20 E – Jet diameter 20 mm
- Air Nozzle 24 E – Jet diameter 24 mm

Air Nozzle 20 E



Air Nozzle 24 E



Air Nozzle

System integration

In general groups of Air Nozzles are to be connected to a compressed air piping system, in which usually the pipe itself is the air reservoir, which is more or less steadily refilled by a compressor. So no additional pressure tank directly coupled to the Air-Nozzle is needed. However the pipe volume and the default pressure should be chosen in such way that after a shot with all shooters the residual pressure doesn't fall below 90% of the default value. In more elaborate supply systems the set pressure can be varied so that different jet heights can be achieved.

Water Level & Refill behavior

It is important for a long term stable performance that the water level is kept constant. Because the filling grade as well as the refill time depends on that. In that sense the best environment for these water features are bodies of water in which the water level is defined by a weir or an overflow.



Example for 60 m fountain (on request)

Air Nozzle 20 E			
Air pressure [bar]	Height [m]	Shooting time every [s]	Air demand [l]
0.50	1.50	2.00	1.50
1.00	4.50	3.00	2.50
1.50	8.50	4.20	4.50
2.00	12.00	5.10	5.50
2.50	15.00	6.30	10.50

Air Nozzle 24 E			
Air pressure [bar]	Height [m]	Shooting time every [s]	Air demand [l]
1.00	4.60	3.90	3.00
2.00	11.00	6.10	9.00
3.00	15.00	7.60	11.50
4.00	18.00	9.30	20.00
4.50	20.00	9.30	21.50
5.00	21.00	9.30	25.00



Air Nozzle detail

Air Nozzle		20 E	24 E
Dimensions (L x W x H)	[mm]	758 x 300 x 483	1120 x 300 x 483
Nozzle diameter	[mm]	20	24
Min. water level	[mm]	330	330
Max. air pressure	[bar]	3	5
Air inlet dia.	[inch]	½	½
Water jet height up to	[m]	15	21
Voltage (solenoid valve)	[V/DC]	24	24
Nominal current (solenoid valve)	[A]		
Material		stainless steel	stainless steel
Weight	[kg]	14,50	17,00
Order no.		58904	58904



	Fresh Water	Pool Water	Sea Water	220-240 V	400 V	110-120 V	50 Hz	60 Hz	12 V AC	24 V DC	DMX	DMX/RDM	Plug and Spray
FlashWall	✓	✓	✓	✓	✓	✓	✓	✓	✓	✓	✓	✓	✓

FLASHWALL

As an attractive and vibrant element this modular interactive water wall is suitable for the use in public areas, such as Shopping malls, office complexes and theme parks. The unique arrangement of the nozzles allows for an extremely dense curtain of water, which guarantees high visibility.

This water curtain creates graphics, designs, characters, etc., which can be represented through the use of a fast reacting valve technology. Thereby the OASE FlashWall allows for almost unlimited opportunities to convey (advertising) messages. In optional combination with an SMS interface it can be also used as an interactive communication platform.

Product characteristics at a glance

- Modular build flash wall (module length: 720mm)
- Allowing for seamless extension limited only by the water consumption
- Close packed nozzle/ valve arrangement for dense water curtain guaranteeing high resolution

- Nozzle orifice diameter: 5 mm
- Theoretical optical density: 44,4 % (e. g. nozzle / space ratio)
- Ideally suited for projection for videos and laser graphics
- Precise valve control via DMX/CAN
- Accurately defined text and graphics displays due to fast reacting valve technology
- Optional: LED RGB Illumination
- Optional: SMS interface for the display of personal text messages

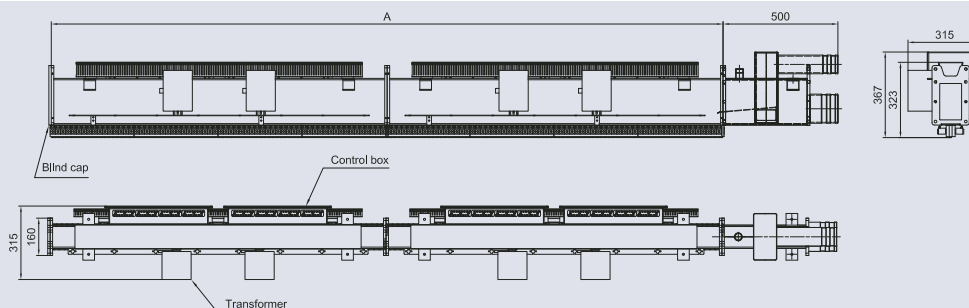
Technical details

- For fresh-water, max 50 my particles allowed
- 110-240V 50/60 Hz power supply
- Transformers can be at the flash wall or in separate area control cabinet ,depending on environment conditions
- Max. height recommended 10m (under zero wind condition)
- Nozzle diameter 4,5 mm

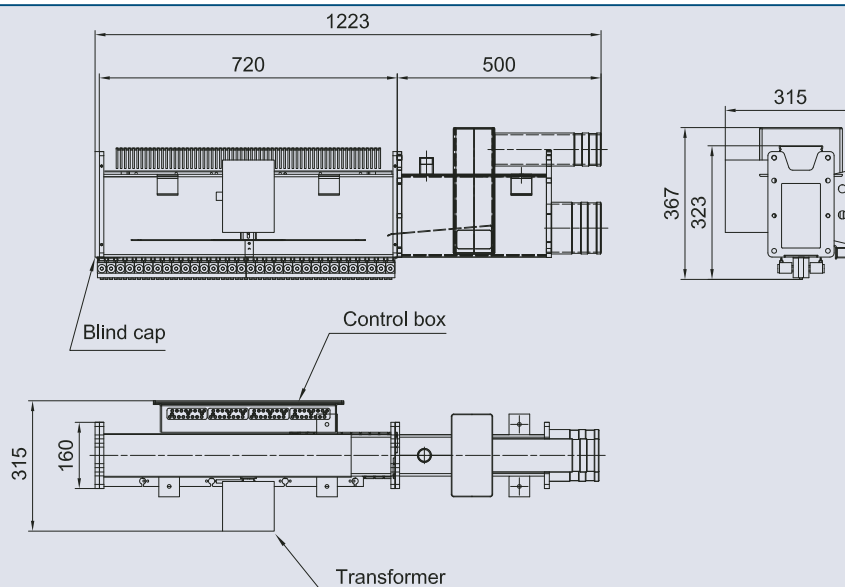


NEW

FlashWall



FlashWall



Accessories (must be ordered separately)

Connecting cable DMX/01 (see page 120)	Order no.
Connecting cable DMX/1.0 m/01	12368
Connecting cable DMX/3.0 m/01	12369
Connecting cable DMX/5.0 m/01	12371
Connecting cable DMX/10.0 m/01	12372
Connecting cable DMX/20.0 m/01	12373
End Resistant for Bus-System DMX/01	12007
Easy Control (see page 126)	50289
Easy Control (see page 126)	50175
WECS 1024 (see page 128)	50596
WECS 2048 (see page 128)	50597



FlashWall details

Dimension of the module*	A mm	720	1440	2160	2880
Amount of valves		64	128	192	256
Distance between the nozzles	[mm]	11,25	11,25	11,25	11,25
Rated voltage	[V/DC]	24	24	24	24
Power consumption	[W]	450	900	1350	1800
Water consumption	[l/min]	32	64	96	128
Material		Stainless Steel / POM	Stainless Steel / POM	Stainless Steel / POM	Stainless Steel / POM
Weight dry	[kg]	35	70	105	140
Weight filled with water	[kg]	42	84	126	168
Order no.		58975	58975	58975	58975

*Any combination of different module is possible.

**SONY CENTER –
SPRAY FOUNTAIN SYSTEM**

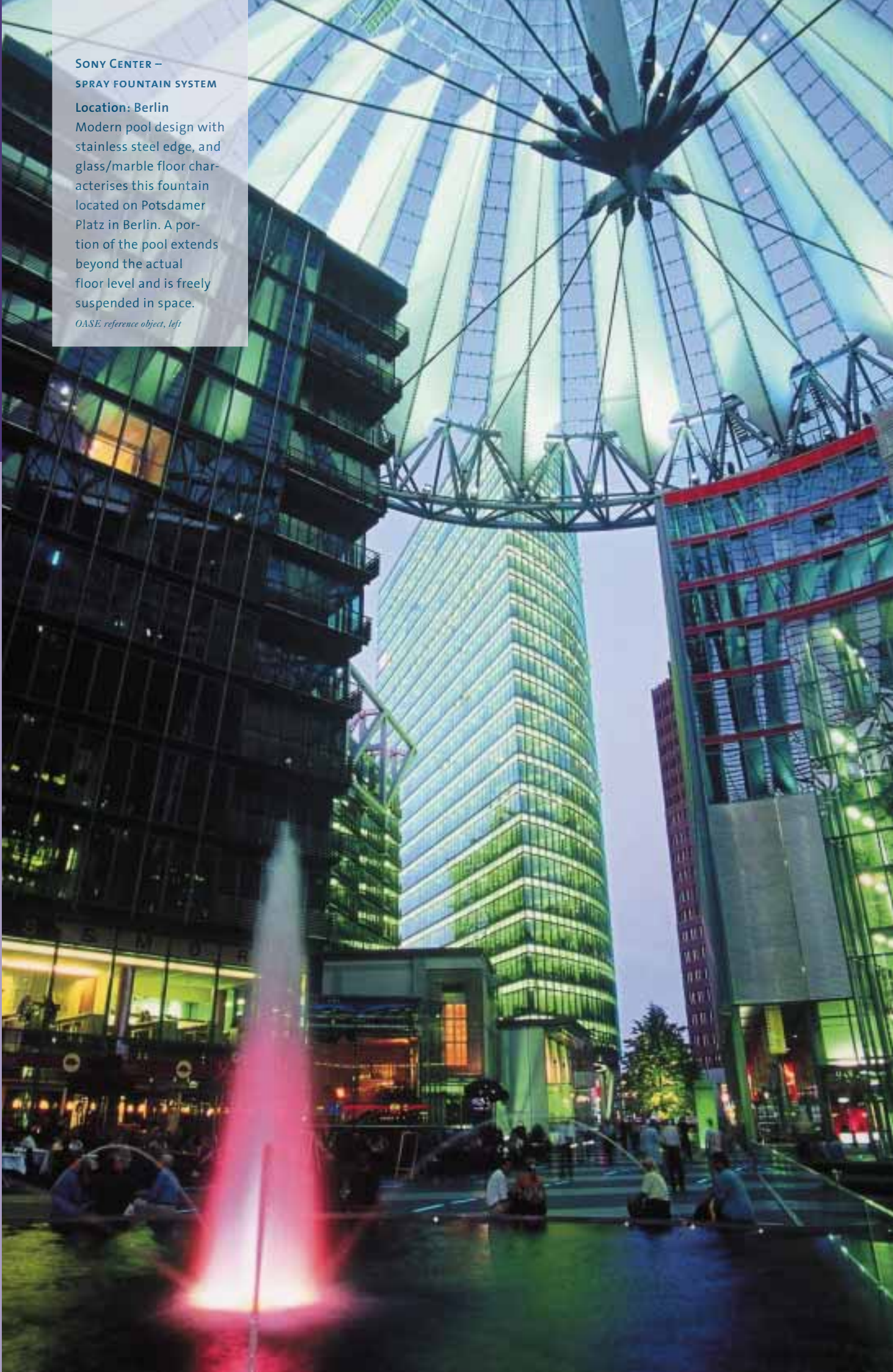
Location: Berlin

Modern pool design with stainless steel edge, and glass/marble floor characterises this fountain located on Potsdamer Platz in Berlin. A portion of the pool extends beyond the actual floor level and is freely suspended in space.

OASE, reference object, left

NOZZLES

CLASSIC



CLASSIC NOZZLES

THE CLASSIC NOZZLES CAN USE IN MODERN AND TRADITIONAL POOL DESIGN. IN COMBINATION WITH A CONTROLLABLE PUMP THESE FOUNTAINS ARE ALSO INTERACTIVE.

- With spray fountain nozzles and fountain attachments in any form and size you can design stately fountains, falling water, baroque pirouettes, or powerful water arches.
- Our standard offering with many designs even satisfies complicated requirements.
- For particularly demanding architectural solutions we can also manufacture the suitable custom solution for you.

Only the difficulty of choice remains!







Comet-Silver – Comet Prec – Hollow jet nozzle

• Classic Nozzles

Comet-Silver	page 26
Comet T	page 28
Hollow Jet nozzles	page 30
High Jet / Geyser Jet	page 32
Lava	page 33
Water sphere / hemisphere	page 34
Gushing nozzle / Fan Jet	page 36
Water Screen Nozzle	page 38
Grand Vulcan / Trumpet Jet	page 40
Vulcan	page 41
Rotating Nozzle	page 42
Schaumspudler	page 44
Cascade	page 48
Geyser	page 52
Mylar Lace	page 56



	Fresh Water	Pool Water	Sea Water
Comet-Silver			
Comet Prec 20-20 Silver			

COMET-SILVER / COMET PREC 20-20 SILVER

These Single Jet nozzles generate a clear, full jet that is stable in wind. New is the silver optic of the Comet nozzles with durable chromed and nickel plated brass. The Comet Prec 20-20 Silver mostly consists of stainless steel.

Comet-Silver

Product characteristics at a glance

- Small to medium-sized single-jet nozzles
- Fountain heights 0.50 m to 12.00 m
- Clear wind-stable full jet
- 15° vertically pivoting ball joint
- Water-level independent
- With flow director
- Durable chromed and nickel plated brass

These Comet-Silver nozzles are usually arranged in a group. All sizes of Comet Silver have a ball joint with which the jet can be pivoted up to 15° from the vertical plane. This feature makes it possible to generate interesting water patterns.

Comet Prec 20-20 Silver

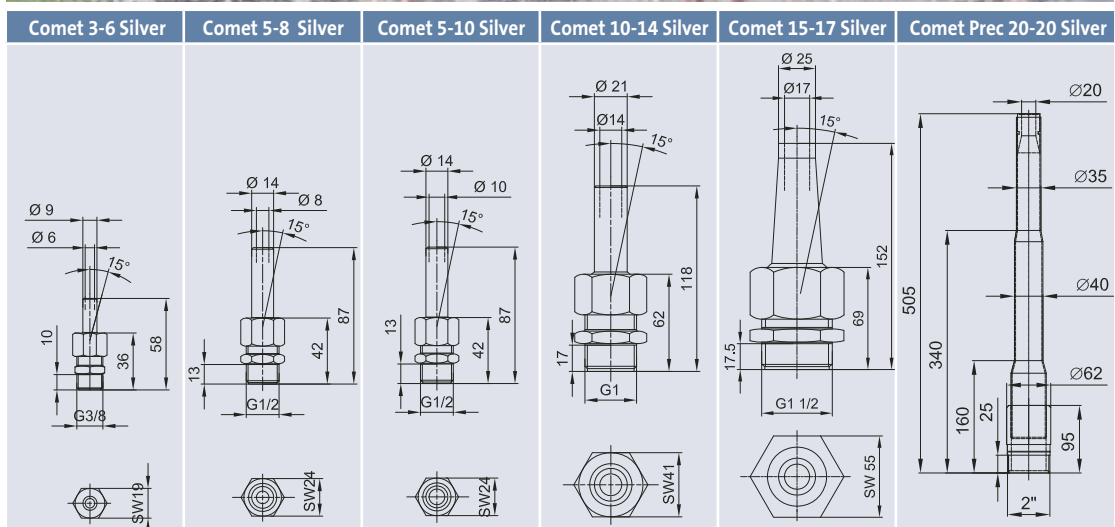
Product characteristics at a glance

- Medium-sized single-jet nozzles
- Fountain heights 1,00m to 20,00m
- Clear wind-stable full jet
- Can be implemented as a single fountain or in groups
- Extensive design versatility
- Water-level independent
- With flow director



Comet-Silver

Comet Prec



		Comet 3-6 Silver		Comet 5-8 Silver		Comet 5-10 Silver		Comet 10-14 Silver		Comet 15-17 Silver		Comet Prec 20-20 Silver	
Dimensions (Ø x H mm)		22 x 58		28 x 87		28 x 87		47 x 118		63 x 152		62 x 505	
Fountain height		DWB	DDB	DWB	DDB	DWB	DDB	DWB	DDB	DWB	DDB	DWB	DDB
		l/min	bar	l/min	bar	l/min	bar	l/min	bar	l/min	bar	l/min	bar
0.50	[m]	4.8	0.06	9.5	0.07	15	0.08	30	0.06	42	0.06		
0.75	[m]	6.2	0.09	11.5	0.10	19	0.11	37	0.09	52	0.09		
1.00	[m]	7.2	0.12	12.6	0.13	21	0.14	44	0.12	62	0.11	90	0.12
1.25	[m]	8.7	0.15	14.9	0.16	25	0.18	50	0.15	69	0.14	96	0.14
1.50	[m]	10.0	0.18	17.0	0.18	28	0.20	55	0.18	76	0.17	102	0.17
1.75	[m]	11.1	0.21	18.8	0.21	31	0.25	60	0.21	82	0.19	110	0.19
2.00	[m]	12.1	0.25	20.5	0.24	33	0.28	65	0.24	89	0.22	117	0.22
2.50	[m]	14.0	0.32	23.4	0.32	37	0.36	73	0.30	100	0.28	132	0.28
3.00	[m]	15.6	0.40	26.1	0.39	41	0.44	81	0.37	110	0.34	147	0.34
3.50	[m]			28.5	0.47	45	0.52	87	0.43	119	0.40	160	0.40
4.00	[m]			30.7	0.54	49	0.60	94	0.50	127	0.46	170	0.46
5.00	[m]					55	0.76	105	0.62	143	0.58	206	0.57
6.00	[m]					60	0.92	116	0.75	157	0.70	227	0.69
7.00	[m]							125	0.88	170	0.82	245	0.81
8.00	[m]							134	1.01	182	0.94	263	0.92
9.00	[m]							143	1.14	193	1.06	279	1.04
10.00	[m]							151	1.28	204	1.18	295	1.16
11.00	[m]									214	1.30	309	1.28
12.00	[m]									222	1.40	323	1.40
14.00	[m]											350	1.64
16.00	[m]											385	1.90
18.00	[m]											420	2.15
20.00	[m]											441	2.40
Material		Double Coated Brass										Stainless Steel	
Weight	[kg]	0.06		0.13		0.13		0.45		0.86		1.55	
Order no.		50721		50762		50722		50723		50724		50523	



	Fresh Water	Pool Water	Sea Water
Comet			

COMET 3-5 T TO 15-20 T

These single-jet nozzles generate a clear, full jet that is stable in wind.

These nozzles are usually arranged in a group. All sizes have a ball joint with which the jet can be pivoted up to 15° from the vertical plane. This feature makes it possible to generate interesting water patterns.

Product characteristics at a glance

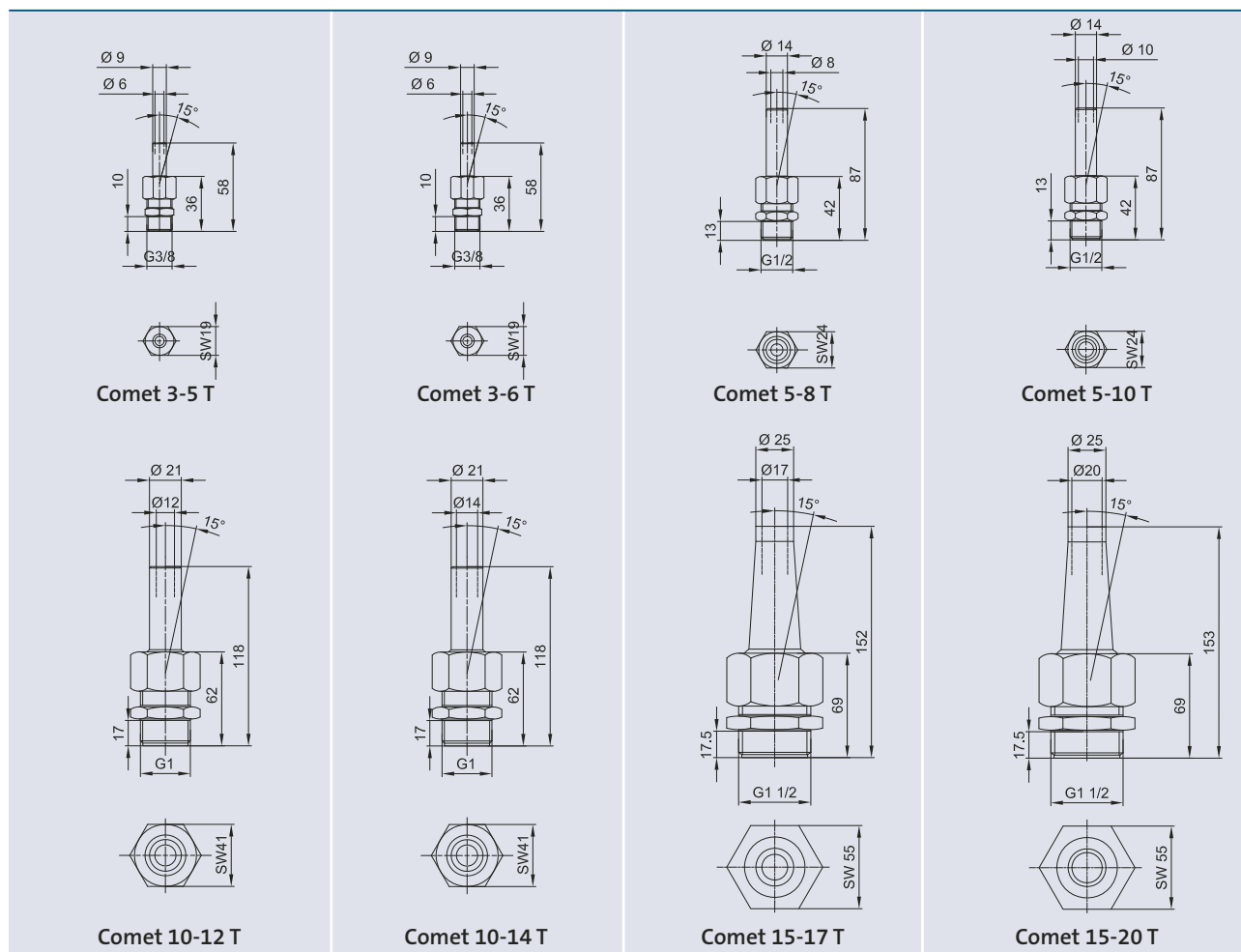
- Small to medium-sized clear-jet nozzles
- Fountain heights 0.5 m to 14.0 m
- Clear wind-stable full jet
- Up to 15° vertically pivoting ball joint
- Water-level independent

The Comet 10-12 T and Comet 10-14 T is ideal for the combination with ProfiPlane LED 320 / DMX / 02 and ProfiRing LED 320 / DMX / 02 (see page 96-99).















Comet 15-20 T

Accessories (must be ordered separately)	Order no.
Sleeve 10 silver	51018
Sleeve 15 silver	51019
Reducing sleeve 15 x 10	51032
Reducing sleeve 20 x 15	51030



	Comet 3-5 T		Comet 3-6 T		Comet 5-8 T		Comet 5-10 T		Comet 10-12 T		Comet 10-14 T		Comet 15-17 T		Comet 15-20 T	
Dimensions (Ø x H mm)	1.9 x 58		21.9 x 58		27.6 x 87		27.6 x 87		47.3 x 118		47.3 x 118		63.3 x 152		63 x 152	
Fountain height	DWB	DDB	DWB	DDB	DWB	DDB	DWB	DDB	DWB	DDB	DWB	DDB	DWB	DDB	DWB	DDB
	l/min	bar	l/min	bar	l/min	bar	l/min	bar	l/min	bar	l/min	bar	l/min	bar	l/min	bar
0.50 [m]	3.8	0.07	4.8	0.06	9.5	0.07	15	0.08	21	0.06	30	0.06	42	0.06	59	0.06
0.75 [m]	5.3	0.09	6.2	0.09	11.5	0.10	19	0.11	25	0.08	37	0.09	52	0.09	74	0.08
1.00 [m]	6.3	0.13	7.2	0.12	12.6	0.13	21	0.14	31	0.11	44	0.12	62	0.11	88	0.13
1.25 [m]	7.2	0.15	8.7	0.15	14.9	0.16	25	0.18	35	0.14	50	0.15	69	0.14	99	0.16
1.50 [m]	8.0	0.18	10.0	0.18	17.0	0.18	28	0.20	39	0.17	55	0.18	76	0.17	110	0.17
1.75 [m]	8.7	0.22	11.1	0.21	18.8	0.21	31	0.25	43	0.21	60	0.21	82	0.19	119	0.21
2.00 [m]	9.3	0.25	12.1	0.25	20.5	0.24	33	0.28	46	0.23	65	0.24	89	0.22	128	0.22
2.50 [m]			14.0	0.32	23.4	0.32	37	0.36	53	0.29	73	0.30	100	0.28	144	0.28
3.00 [m]			15.6	0.40	26.1	0.39	41	0.44	58	0.35	81	0.37	110	0.34	158	0.34
3.50 [m]					28.5	0.47	45	0.52	63	0.42	87	0.43	119	0.40	171	0.39
4.00 [m]					30.7	0.54	49	0.60	68	0.48	94	0.50	127	0.46	184	0.45
5.00 [m]							55	0.76	76	0.61	105	0.62	143	0.58	206	0.57
6.00 [m]							60	0.92	84	0.74	116	0.75	157	0.70	227	0.69
7.00 [m]									91	0.87	125	0.88	170	0.82	245	0.81
8.00 [m]									98	1.00	134	1.01	182	0.94	263	0.92
9.00 [m]											143	1.14	193	1.06	279	1.04
10.00 [m]											151	1.28	204	1.18	294	1.16
11.00 [m]													214	1.30	309	1.28
12.00 [m]													222	1.40	323	1.40
13.00 [m]															337	1.52
14.00 [m]															350	1.64
Material	Brass								Tombac							
Weight [kg]	0.06		0.06		0.13		0.13		0.45		0.45		0.86		0.86	
Order no. NPT	-		89012		89013		89014		89015		89016		89017		89018	
Order no.	50959		50960		50964		50965		50968		50969		50970		50971	



	Fresh Water	Pool Water	Sea Water
50966 Hollow Jet nozzle 68			
50973 Hollow Jet nozzle 100			
55350 Hollow Jet nozzle 130			
50963 Hollow Jet nozzle 130			

HOLLOW JET NOZZLES

Imposing fountains up to 80 metres in height are shot high into the sky by OASE Hollow Jet nozzles.

The special nozzles for impressive fountain heights work independently of the water level, and with flow directors. Thanks to these features and the precise formation of the ring slot of the nozzle, a stable fountain jet is ensured at all times.

In comparison to full-jet nozzles, the sophisticated design of the Hollow Jet nozzle allows for a significant reduction of water requirements (also referred to as volume flow).

Product characteristics at a glance

- For fountain heights of up to 80 m
- Wind-stable high jet
- Water-level independent
- Significantly reduced water requirements compared to full-jet nozzles
- With flow director

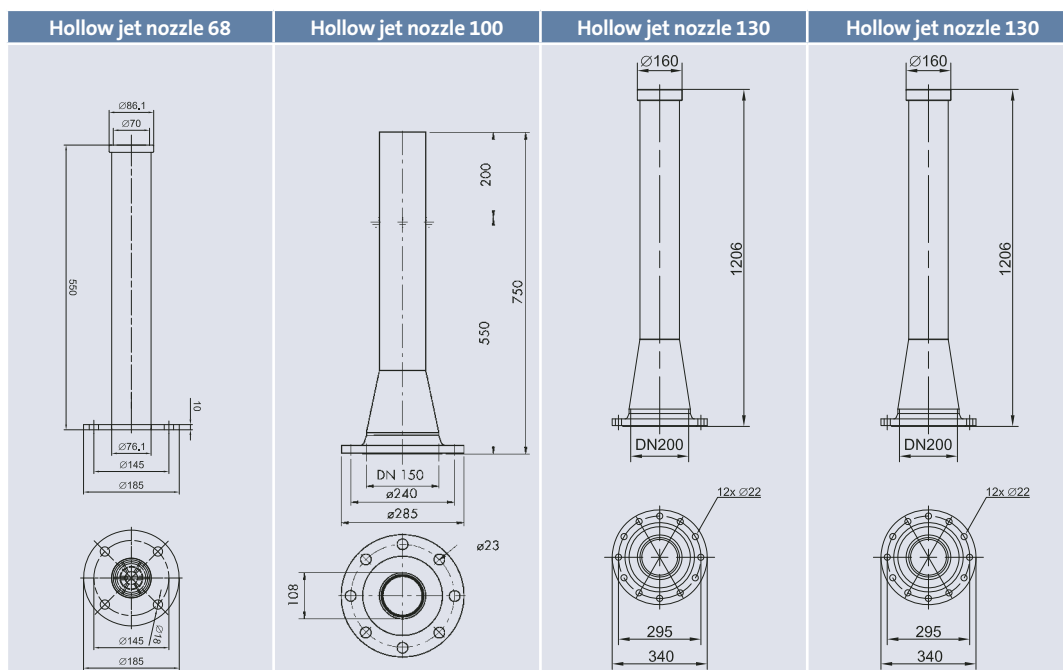


50966
Hollow jet nozzle 68

50973
Hollow jet nozzle 100

55350 / 50963
Hollow jet nozzle 130

The Hollow jet nozzle 130 (50963) consists of a higher quality of stainless steel so that this nozzle is using for salt water.



	Hollow jet nozzle 68		Hollow jet nozzle 100		Hollow jet nozzle 130		Hollow jet nozzle 130	
Dimensions (Ø x H) [mm]	80 x 425		285 x 750		320 x 1200		320 x 1200	
Ø Hollow Jet [mm]	70		100		130		130	
Water film thickness [mm]	3.5		4.0		10		10	
Fountain height	DWB	DDB	DWB	DDB	DWB	DDB	DWB	DDB
	l/min	bar	l/min	bar	l/min	bar	l/min	bar
5 [m]	449	0.61						
6 [m]	493	0.72						
7 [m]	533	0.87						
8 [m]	570	1.00						
9 [m]	605	1.12						
10 [m]	639	1.26						
12 [m]	701	1.53						
14 [m]	759	1.80						
16 [m]	813	2.07						
18 [m]	864	2.35						
20 [m]	912	2.64	1390	2.18				
22 [m]	959	2.93	1475	2.45				
24 [m]	1003	3.22	1561	2.71				
25 [m]			1600	2.85				
30 [m]			1820	3.60				
35 [m]			1985	4.25				
40 [m]			2235	5.80	6828	5.4	6828	5.4
45 [m]			2600	7.20	7290	6.1	7290	6.1
50 [m]			2660	7.70	7735	6.9	7735	6.9
55 [m]					8165	7.7	8165	7.7
60 [m]					8583	8.5	8583	8.5
65 [m]					8990	9.3	8990	9.3
70 [m]					9388	10.2	9388	10.2
75 [m]					9778	11.0	9778	11.0
80 [m]					10160	11.9	10160	11.9
Material	Stainless Steel							
Weight [kg]	5.0		33.0		76.0		76.0	
Order no.	50966		50973		55350		50963	



Geyser Jet 30

High Jet 30

	Fresh Water	Pool Water	Sea Water
High Jet 30			
Geyser Jet 30			

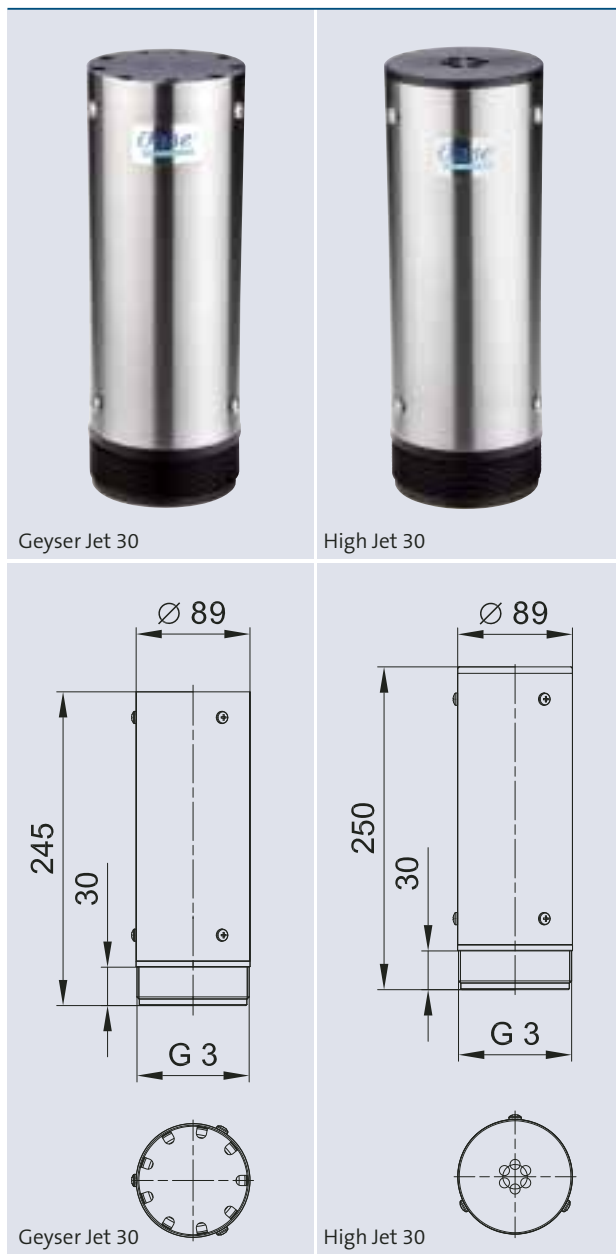
HIGH JET / GEYSER JET

These nozzles generate one water jet that is stable in wind.

The High Jet and Geysers Jet are water-level independent with a lightweight mode of construction and usually used on the floating fountains.

Product characteristics at a glance

- Water patten as one water jet
- Water-level independent
- Modern stainless steel look



Geysers Jet 30

High Jet 30

Geysers Jet 30

High Jet 30

	Geysers Jet 30		High Jet 30	
Dimensions (ø x H mm)	89 x 245		89 x 250	
Fountain height	DWB	DDB	DWB	DDB
	l/min	bar	l/min	bar
5.0	[m]	347	0.81	
6.0	[m]	381	0.98	
7.0	[m]	411	1.14	
8.0	[m]	440	1.31	226
9.0	[m]	466	1.48	240
10.0	[m]	492	1.65	253
11.0	[m]	515	1.82	266
12.0	[m]	539	1.99	278
13.0	[m]			289
14.0	[m]			299
15.0	[m]			310
16.0	[m]			320
Material – casing tube	Stainless Steel		Stainless Steel	
Material – nozzle insert	POM		POM	
Weight	[kg]	1.4	1.4	
Order no.	50377		50375	



Lava	Fresh Water	Pool Water	Sea Water

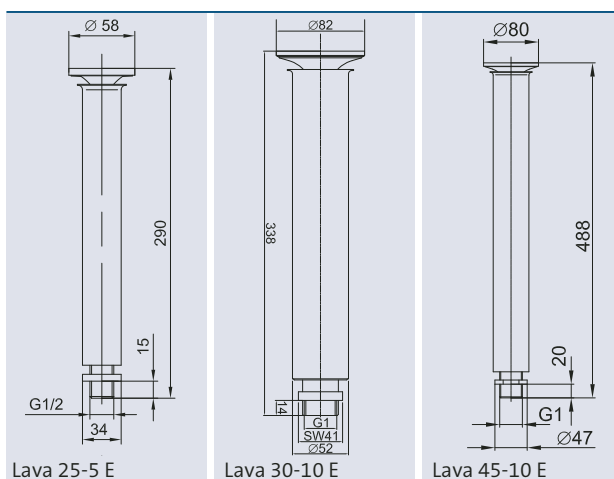
LAVA 25-5 E TO 45-15 E

Water bells are the fountain type with the least noise. The relaxing sound of splashing water is particularly effective in water gardens, reception halls, or outdoor pools that are protected from wind.

The Lava bell forms a closed water veil that can be attractively staged with underwater illumination.

Product characteristics at a glance

- Transparent water pattern
- Adjustable bell diameter
- Water-level independent
- Low-noise operation
- Modern stainless steel look



Accessories (must be ordered separately)	Order no.
Sleeve 10 silver (see page 196)	51018
Sleeve 15 silver (see page 196)	51019
Reducing sleeve 15 x 10 (see page 197)	51032
Reducing sleeve 20 x 15 (see page 197)	51030
Adapter G 10 / NPT 10 (see page 196)	51026

	Lava 25-5 E	Lava 30-10 E	Lava 45-10 E			
Dimensions (Ø x H mm)	58 x 290	80 x 338	80 x 488			
Fountain diameter	DWB	DDB	DWB	DDB	DWB	DDB
	l/min	bar	l/min	bar	l/min	bar
200 [mm]	17	0.09				
300 [mm]	21	0.11	35	0.11		
400 [mm]	25	0.14	43	0.13	43	0.14
500 [mm]	29	0.17	51	0.16	51	0.17
600 [mm]	33	0.21	59	0.20	59	0.21
700 [mm]			67	0.25	67	0.26
900 [mm]					75	0.32
Material	Stainless Steel / Tombac - Double coated					
Weight [kg]	0.6		1.3		1.6	
Order no.	50884		50889		50890	



Water sphere

	Fresh Water	Pool Water	Sea Water
Water sphere			
Water hemisphere			

WATER SPHERES 900/37 TO 6000/450 E

WATER HEMISPHERES H 900/25 TO H 6000/248 E



Water hemisphere

The artistic water pattern that is generated by the sphere effect nozzles requires a lot of space in order to unfold its enchanting effect. It lends any location a very special attractive force, even from a distance.

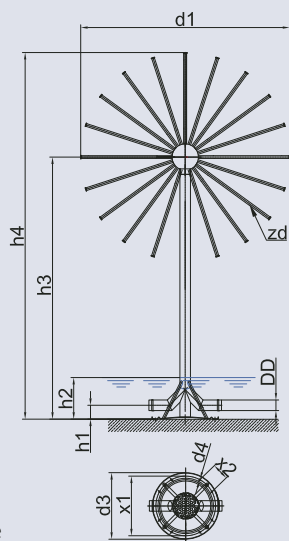
Product characteristics at a glance

- Sculptural, amazing water pattern
- Decorative stainless steel sculpture
- Extensively wind-stable
- Water-level independent

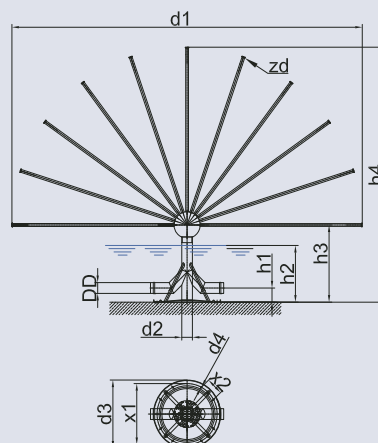
The fountain attachments are primarily made of stainless steel which makes them attractive sculptures even if they are not spraying water.

However, their special flair unfolds once the fine waterveil escaping from the uniformly arranged nozzles converges to form a gentle sphere.

Depending on size the spheres consist of a different number of nozzles. Operation of the spheres and hemispheres is even possible in strong wind in spite of the relatively fine water veil.



Water sphere



Water hemisphere

Water hemisphere	H 900/25 E	H 1200/49 E	H 1500/73 E	H 2500/73 E	H 3500/210 E	H 6000/248 E
Dimensions (ØxH) [mm]	900 x 950	1200 x 1100	1500 x 1250	2500 x 1850	3500 x 2350	6000 x 3650
zd [pieces]	25	49	73	73	210	248
DWB [l/min]	250	490	730	730	2310	3720
DDB [bar]	0,9	0,9	1,0	1,1	1,3	1,5
MBD [mm]	1500	2000	2500	3500	5000	9000
DD [mm]	1 x DN 65	1 x DN 65	1 x DN 65	1 x DN 65	2 x DN 80	3 x DN 100
d1 [mm]	900	1200	1500	2500	3500	6000
d2 [mm]	76	76	76	76	160	220
d3 [mm]	475	475	475	475	1000	1000
d4 [mm]	12	12	12	12	22	22
h1 [mm]	100	100	100	100	100	125
h2 [mm]	300	300	300	400	500	500
h3 [mm]	500	500	500	600	600	650
h4 [mm]	950	1100	1250	1850	2350	3650
x1 [mm]	430	430	430	430	900	900
x2 [mm]	123	123	123	123	200	200
Material	Stainless Steel/Tombac					
Weight [kg]	25	42	65	100	650	1800
Order no.	50897	50898	50899	51762	51763	51764

Water sphere	900/37 E	1200/79 E	1500/127 E	2500/127 E	3500/380 E	6000/450 E
Dimensions (ØxH) [mm]	900 x 1800	1200 x 2200	1500 x 2600	2500 x 3600	3500 x 5850	6000 x 9600
zd [pieces]	37	79	127	127	380	450
DWB [l/min]	370	790	1270	1270	4180	6750
DDB [bar]	1,0	1,0	1,1	1,2	1,6	2,0
MBD [mm]	2000	2500	3000	4500	6000	10000
DD [mm]	1 x DN 65	1 x DN 65	2 x DN 65	2 x DN 65	4 x DN 65	6 x DN 100
d1 [mm]	900	1200	1500	2500	3500	6000
d2 [mm]	76	76	76	76	160	220
d3 [mm]	475	475	475	475	1000	1500
d4 [mm]	12	12	12	12	22	26
h1 [mm]	100	100	100	100	100	125
h2 [mm]	300	300	300	400	500	500
h3 [mm]	1350	1600	1850	2350	4100	6600
h4 [mm]	1800	2200	2600	3600	5850	9600
x1 [mm]	430	430	430	430	900	1400
x2 [mm]	123	123	123	123	200	250
Material	Stainless Steel/Tombac					
Weight [kg]	32	56	100	160	1100	3100
Order no.	50894	50895	50896	51759	51760	51761



Gushing nozzle



Fan Jet

	Fresh Water	Pool Water	Sea Water
Gushing nozzle			
Fan Jet			

GUSHING NOZZLE 115-15 SILVER / FAN JET 10-6 AND 15-8

Whether as single nozzle or as group arranged around a central nozzle – the gushing nozzle generates a full water pattern of impressive presence.

The gushing nozzle spouts a fan-shaped water surge that is mostly closed, with a thickness of 6 mm and a radiating angle of approximately 30°.

Product characteristics at a glance

- Striking water pattern
- Extensively wind-stable
- Water-level independent
- Durable chromed and nickel plated brass



Gushing nozzle 115-15 Silver

The water veil generated by these nozzles not only has a bizarre beauty, it is also extremely practical: It is particularly well suited to conceal exposed technology.

Depending on the installation the fan nozzles generate either a vertically ascending water veil, or a diagonally spouting water veil of 6 or 8 mm in thickness. Thanks to its large surface distribution the attractive water pattern can conceal a foundation base, or exposed pipe and pump equipment from the eyes of observers.

The nozzles work independently of the water level and require a throttle supplied by the contractor to regulate the water pattern.

Product characteristics at a glance

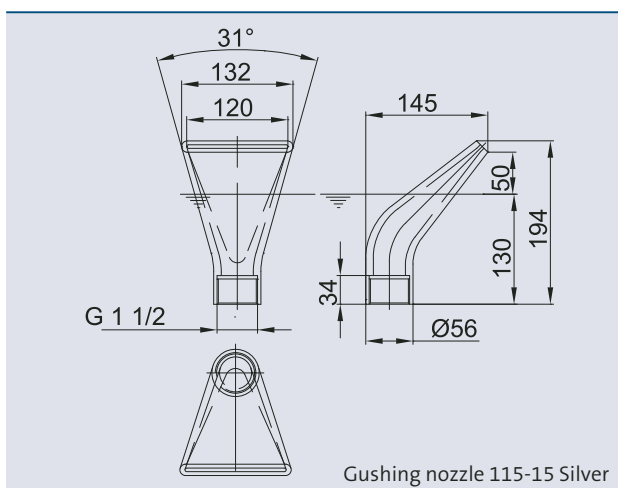
- 6 mm or 8 mm thick, fan-shaped
- Water gushing effect
- Water-level independent
- Modern stainless steel look



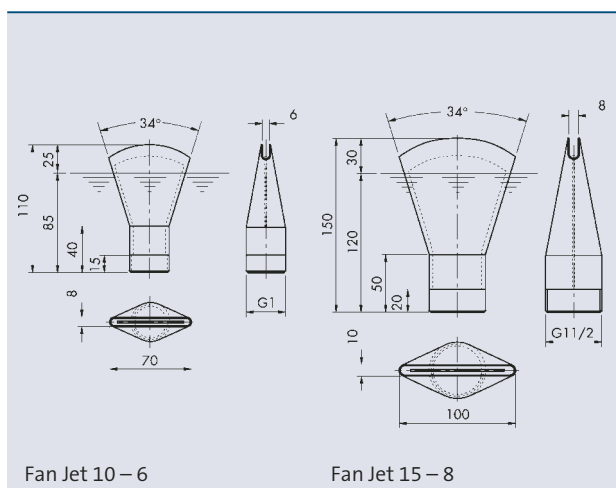
Fan Jet

Accessories (must be ordered separately)	Order no.
Swivel connection 10 silver (see page 196)	51015
Swivel connection 15 silver (see page 196)	51016
Sleeve 10 silver (see page 196)	51018
Sleeve 15 silver (see page 196)	51019
Swivel ball joint 10 (see page 197)	51165

Accessories (must be ordered separately)	Order no.
Adapter G 10 / NPT 10 (see page 196)	51026
Adapter G 15 / NPT 15 (see page 196)	51027
Reducing sleeve 15 x 10 (see page 197)	51032
Reducing sleeve 20 x 15 (see page 197)	51030
Flow Valve 10 (see page 197)	51033



Gushing nozzle 115-15 Silver



Fan Jet 10 – 6

Fan Jet 15 – 8

Gushing nozzle 115-15 Silver				
Dimensions (L x W x H)	[mm]	132 x 145 x 194		
Fountain height		PH	SPB	DWB
		[m]	[m]	[L/min.]
				DDB
				[bar]
0.50	[m]	0.10	0.25	94
0.75	[m]	0.15	0.33	112
1.00	[m]	0.20	0.42	131
1.25	[m]	0.26	0.50	150
1.50	[m]	0.33	0.58	168
1.75	[m]	0.40	0.67	187
2.00	[m]	0.48	0.75	205
2.50	[m]	0.62	0.92	243
3.00	[m]	0.77	1.08	280
3.50	[m]	0.92	1.25	317
4.00	[m]	1.06	1.42	354
4.50	[m]	1.21	1.58	392
Material		Double Coated Brass		
Weight	[kg]	2.5		
Order no.		50767		

Fan Jet	Fan Jet 10 – 6			Fan Jet 15 – 8		
Dimensions (L x W x H)	[mm]			[mm]		
	110 x 70 x 34			150 x 100 x 49		
Fountain height	SPB	DWB	DDB	SPB	DWB	DDB
	[m]	[l/min]	[bar]	[m]	[l/min]	[bar]
0.25	[m]	0.60	70	0.04		
0.50	[m]	1.00	94	0.06	1.40	143
0.75	[m]	1.50	116	0.11	1.80	174
1.00	[m]	2.00	134	0.13	2.80	200
1.25	[m]	2.80	150	0.16	3.40	223
1.50	[m]	3.00	165	0.19	4.00	244
1.75	[m]	3.80	179	0.23	5.00	264
2.00	[m]			5.50	282	0.25
Material	Stainless Steel			Stainless Steel		
Weight	[kg]	0.25			0.49	
Order no.		53056			53047	



	Fresh Water	Pool Water	Sea Water
Water Screen Nozzle			

WATER SCREEN NOZZLE

The Water Screen Nozzle generates a projection screen medium made of water. It can be used for a variety of media including Video and Lasers for special events.

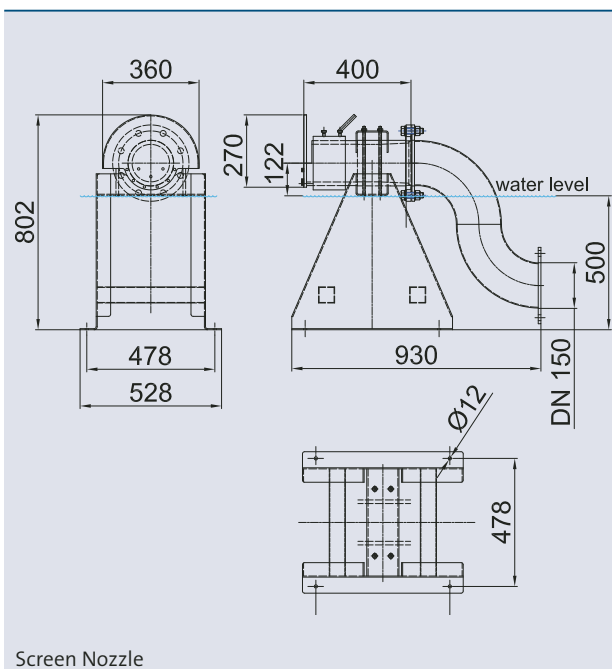
The screen produces a complete semi-circle with 180° in different heights in a function of flow rate and pressure of the pump system.

Product characteristics at a glance

- Optimized nozzles for a clear 180° water screen
- Ideal for rear projection of videos and, or lasers
- An extra flow regulation pipe is not necessary
- The gap of the nozzle can install individual



Screen Nozzle



The nozzle creates a filmy transparent water screen. This qualifies for projection of Laser, Video, Slide and Gobo (Graphical optical blackout) type of illumination. Based on the law of physics of light, the position of the nozzle should always be between the viewer and projector.

		Screen nozzle 30 x 10	Screen nozzle 45 x 15
Water Screen Dimension	[m]	30 x 10	45 x 15
Dimensions (L x W x H)	[mm]	930 x 528 x 802	930 x 528 x 802
DWB	[l/min]	2500	4000
DDB	[bar]	7	12
Material		Stainless Steel	
Weight with bracket	[ap.kg]	95	95
Order no.		58970	58970



Grand Vulcan 30

Trumpet Jet 30

	Fresh Water	Pool Water	Sea Water
Grand Vulcan 30			
Trumpet Jet 30			

GRAND VULCAN 30 / TRUMPET JET 30

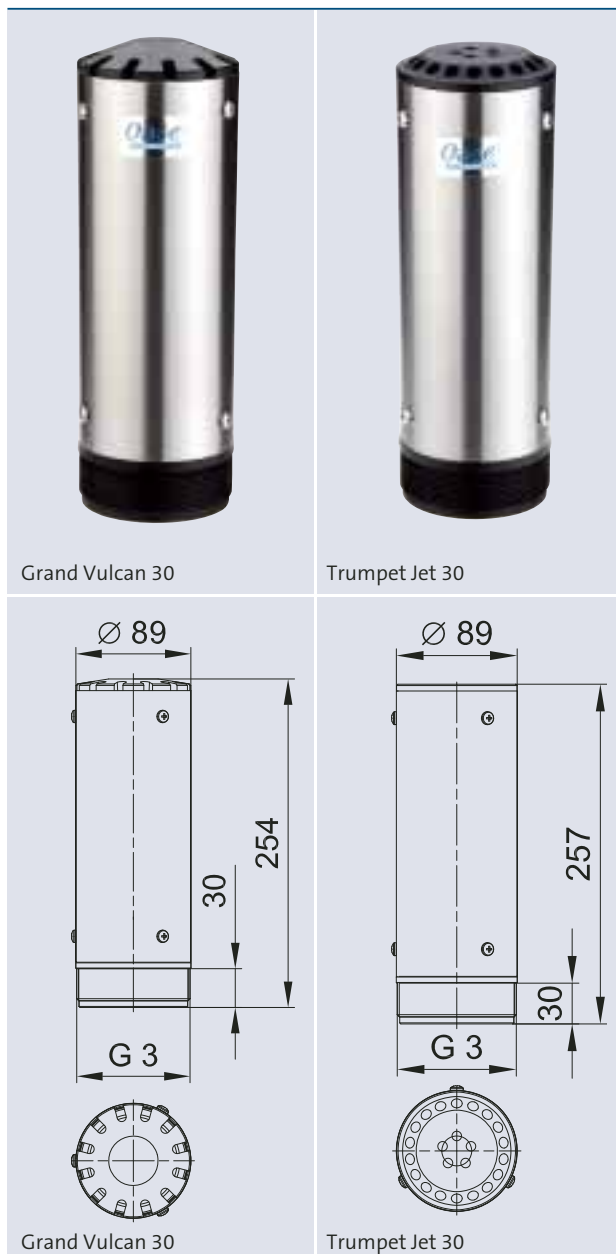
The Grand Vulcan and Trumpet Jet are multi jet nozzles. The single jets are clear and relatively wind stable.

The single jets of the Grand Vulcan 30 are arranged in a circle. They create a calyx.

The water patten of the Trumpet Jet 30 looks like a calyx with a strong middle Fountain.

Product characteristics at a glance

- Multi jet nozzle
- Water-level independent
- Modern stainless steel look



Grand Vulcan 30

Trumpet Jet 30

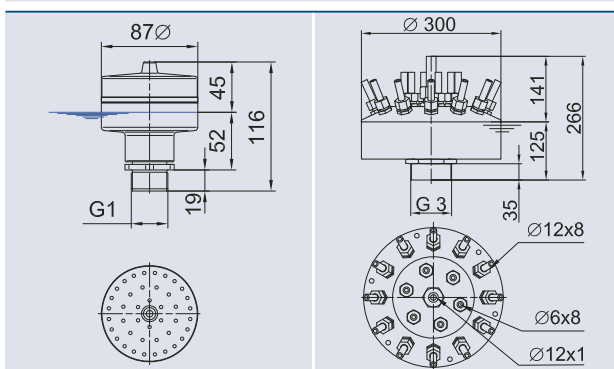
Grand Vulcan 30

Trumpet Jet 30

	Grand Vulcan 30		Trumpet Jet 30	
	DWB	DDB	DWB	DDB
Dimensions (ø x H mm)	89 x 254		89 x 257	
Fountain height	l/min		l/min	
	bar		bar	
3.00	[m]	450	0.45	
3.50	[m]	487	0.53	
4.00	[m]	520	0.61	
4.50	[m]	552	0.68	
5.00	[m]	582	0.76	363
6.00	[m]	638	0.92	397
7.00	[m]	689	1.07	429
8.00	[m]	737	1.23	459
9.00	[m]			487
10.00	[m]			513
2.05				
Material – casing tube	Stainless Steel		Stainless Steel	
Material – nozzle insert	POM		POM	
Weight	[kg]	1.6	1.4	
Order no.	50376		50378	



Accessories (must be ordered separately)	Order no.
Sleeve 10 silver (see page 196)	51018
Sleeve 15 silver (see page 196)	51019
Hexagon nippel 10 silver (see page 196)	51022
Hexagon nippel 30 silver (see page 196)	51025
Swivel connection 10 silver (see page 196)	51015
Adapter G 10 / NPT 10 (see page 196)	51026
Adapter G 30 / NPT 30 (see page 196)	51029



	Fresh Water	Pool Water	Sea Water
Vulcan 43-3			
Vulcan 300/19-8			

VULCAN 43-3 SILVER, 300/19-8 SILVER

Whether small spray fountain or large water features, Vulcan nozzles generate a bundle of jets from 0.5 to 15 metres in height that fall in multiple stages. In this configuration the individual jets remain clear and relatively stable in wind.

Product characteristics at a glance

- Attractive multi-stage water pattern
- Precise full jets that are stable in wind
- Fountain height is infinitely adjustable
- With Komet nozzles jet angles can be adjusted individually (Vulcan 300/19-8 Silver)
- Water-level independent
- Easy to clean

	Vulcan 43-3 Silver			Vulcan 300/19-8 Silver		
Dimensions (Ø x H mm)	87 x 116			300 x 256		
Fountain height	DSD	DWB	DDB	BWB	DWB	DDB
	m	l/min	bar	m	l/min	bar
0.50	[m]	0.40	42	0.10		
0.75	[m]	0.50	50	0.15		
1.00	[m]	0.65	60	0.20		
1.50	[m]	0.80	76	0.30		
2.00	[m]	1.10	90	0.40		
2.50	[m]	1.30	102	0.50		
3.00	[m]	1.50	112	0.60	variab.	339
3.50	[m]	1.70	121	0.76	variab.	368
4.00	[m]	2.00	130	0.88	variab.	394
5.00	[m]				variab.	442
6.00	[m]				variab.	485
7.00	[m]				variab.	525
8.00	[m]				variab.	562
9.00	[m]				variab.	597
10.00	[m]				variab.	630
11.00	[m]				variab.	662
12.00	[m]				variab.	692
13.00	[m]				variab.	720
14.00	[m]				variab.	749
15.00	[m]				variab.	776
Material	Tombac			Stainless Steel Double Coated Brass		
Weight	[kg]	1.5			18.5	
Order no.	50766			50977		



	Fresh Water	Pool Water	Sea Water
Rotating Nozzle			

ROTATING NOZZLE 5-15E AND 5-30E

Gracefully dancing fountains optimally enliven any water landscape and reach heights of up to 10 metres

Gentle rotating water patterns are generated by the recoil of the diagonally set nozzle pipes. With this rotating nozzle, 5 Comet nozzles that can be adjusted in all directions, rotate in a circle and creates a wide variety of wind-stable water pattern.

The ball bearing rotation mechanism ensures continuous trouble-free operation.

Product characteristics at a glance

- Rotating screw-shaped water pattern
- Precise full-jets
- Water-level independent



5-15 E

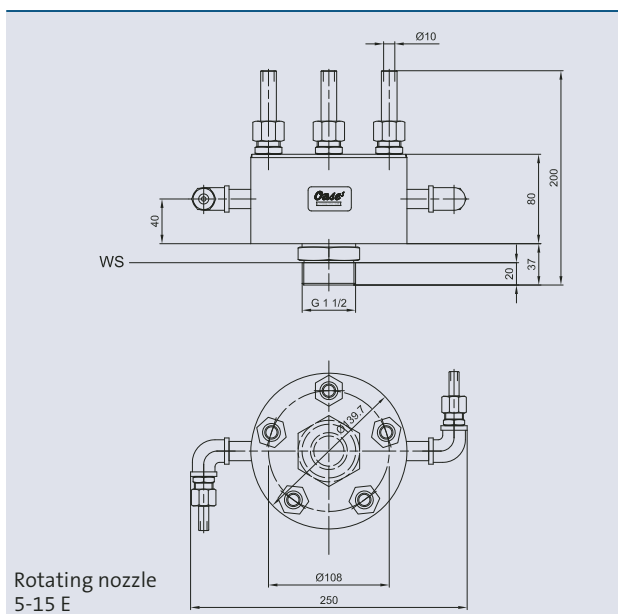
NEW



5-30 E

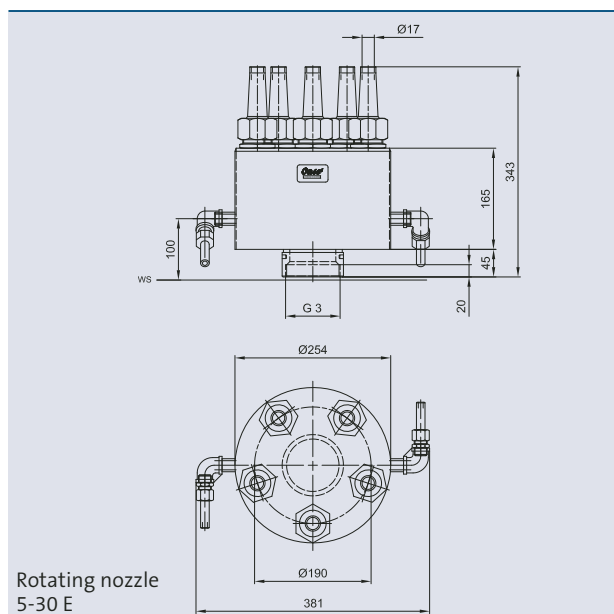


Accessories (must be ordered separately)	Order no.
Hexagon nipple 30 silver (see page 196)	51025
Adapter G 15 / NPT 15 (see page 196)	51027
Adapter G 30 / NPT 30 (see page 196)	51029



Rotating nozzle
5-15 E

Rotating Nozzle 5-15 E				
Dimensions (L x W x H) [mm]		110 x 70 x 34		
Max. Fountain height	SPB [m]	DWB [l/min]	DDB [bar]	
1.00 [m]	2.0	141	0.25	
1.25 [m]	2.4	158	0.31	
1.50 [m]	3.1	173	0.38	
1.75 [m]	3.5	187	0.44	
2.00 [m]	4.0	199	0.50	
2.50 [m]	4.4	223	0.63	
3.00 [m]	5.0	244	0.76	
3.50 [m]	5.6	264	0.89	
4.00 [m]	6.0	282	1.01	
Material	Stainless Steel / Double Coated Brass			
Weight [kg]	2.88			
Order no.	50967			



Rotating nozzle
5-30 E

Rotating Nozzle 5-30 E				
Dimensions (L x W x H) [mm]		150 x 100 x 49		
Max. Fountain height	SPB [m]	DWB [l/min]	DDB [bar]	
1.00 [m]	var.	330	0.15	
2.00 [m]	var.	500	0.30	
3.00 [m]	var.	630	0.50	
4.00 [m]	var.	740	0.60	
5.00 [m]	var.	790	0.75	
6.00 [m]	var.	875	0.90	
7.00 [m]	var.	980	1.10	
8.00 [m]	var.	1050	1.30	
9.00 [m]	var.	1110	1.50	
10.00 [m]	var.	1170	1.60	
Material	Stainless Steel / Double Coated Brass			
Weight [kg]	17.5			
Order no.	50473			



	Fresh Water	Pool Water	Sea Water
Schaumsprudler			
Schaumsprudler 75-20 silver			

SCHAUMSPRUDLER 35-10 E TO 75-20 SILVER

The lively bubbling water pattern generated by the foam effect nozzles is the optimal accessory for watercourse inlets, stepped pool installations, or fountain installations with a water reservoir at a lower level.

By mixing air with water, the pattern appears to be extremely high-volume. Nevertheless the nozzles actually have a low water requirement. The beautiful soft foam jet offers a strong contrast to its environment.

As opposed to Cascade and Geyser nozzles, Schaumsprudler nozzles work independently of the water level so that fluctuations in the water level do not affect the water pattern.

Product characteristics at a glance

- High-contrast, lively water pattern
- Foam / spume effect
- Trouble-free continuous operation
- Offers oxygen enrichment
- Extensively wind-stable
- Water-level independent



35-10 E

55-10 E



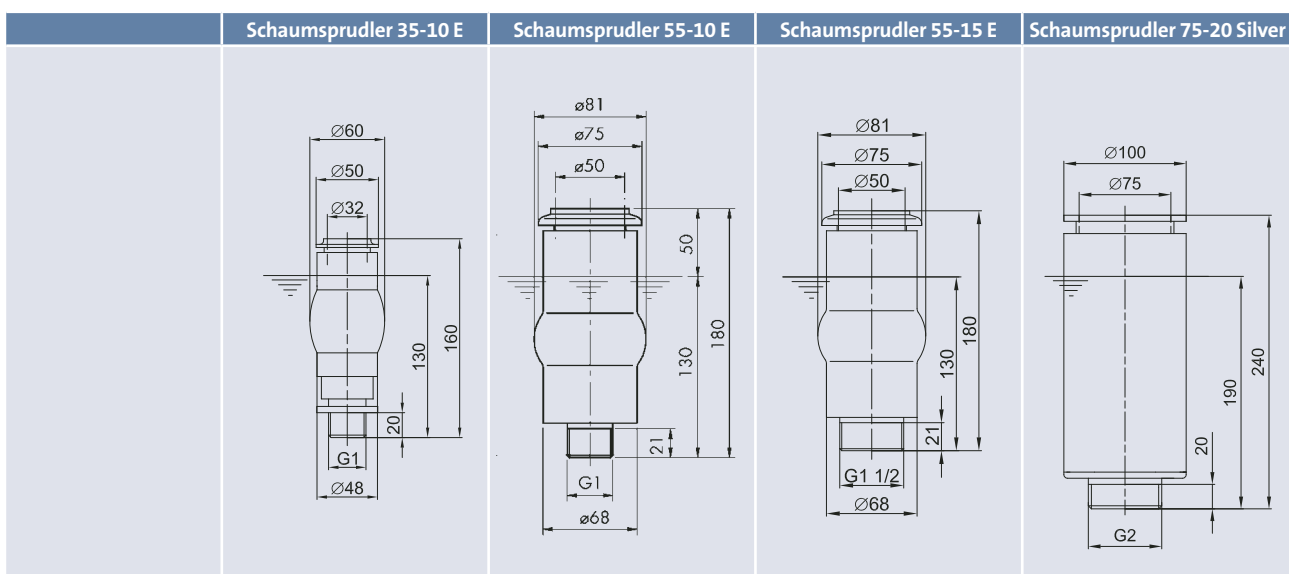
55-15 E

75-20 Silver

NEW

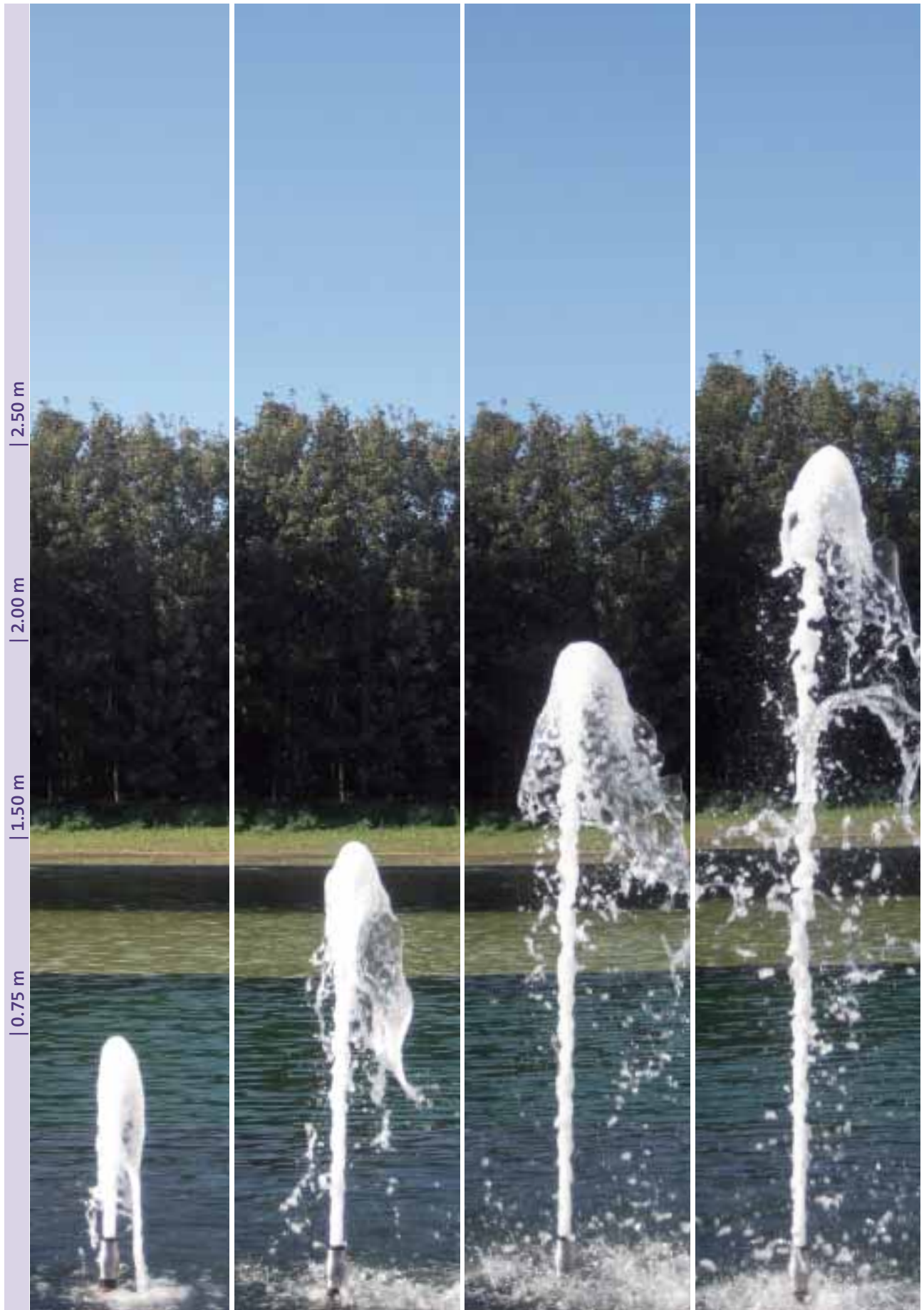
Accessories (must be ordered separately)	Order no.
Swivel connection 10 silver (see page 196)	51015
Swivel connection 15 silver (see page 196)	51016
Swivel connection 20 silver (see page 196)	51017
Sleeve 10 silver (see page 196)	51018
Sleeve 15 silver (see page 196)	51019
Sleeve 20 silver (see page 196)	51020

Accessories (must be ordered separately)	Order no.
Adapter G 10 / NPT 10 (see page 196)	51026
Adapter G 15 / NPT 15 (see page 196)	51027
Adapter G 20 / NPT 20 (see page 196)	51028
Reducing sleeve 15 x 10 (see page 197)	51032
Reducing sleeve 20 x 15 (see page 197)	51030
Swivel ball joint 10 (see page 197)	51165



		Schaumsprudler 35-10 E		Schaumsprudler 55-10 E		Schaumsprudler 55-15 E		Schaumsprudler 75-20 Silver	
Dimensions (ø x H) [mm]		60 x 160		81 x 180		81 x 180		100 x 240	
Fountain height		DWB	DDB	DWB	DDB	DWB	DDB	DWB	DDB
		l/min	bar	l/min	bar	l/min	bar	l/min	bar
0.25	[m]	47	0.10	60	0.11				
0.50	[m]	55	0.14	84	0.21	125	0.11		
0.75	[m]	71	0.22	108	0.32	151	0.15		
1.00	[m]	80	0.28	122	0.40	176	0.19	328	0.20
1.25	[m]	89	0.34	134	0.49	198	0.24	367	0.24
1.50	[m]	97	0.40	145	0.58	217	0.28	401	0.29
1.75	[m]	104	0.46	156	0.66	235	0.33	433	0.34
2.00	[m]	111	0.52	166	0.75	252	0.38	463	0.39
2.50	[m]	123	0.65	184	0.92	282	0.48	518	0.49
3.00	[m]			200	1.09	310	0.58	567	0.58
3.50	[m]			216	1.27	335	0.67	612	0.68
4.00	[m]					359	0.77	655	0.78
4.50	[m]					381	0.87	695	0.87
5.00	[m]					402	0.97	733	0.97
6.00	[m]					441	1.16	803	1.17
7.00	[m]					477	1.36	868	1.33
8.00	[m]							928	1.56
9.00	[m]							965	1.75
10.00	[m]							1039	1.95
Material		Stainless Steel/plastic		Stainless Steel				Double Coated Brass	
Weight	[kg]	0.5		1.2		1.4		4.3	
Order no.		50984		50986		50987		50768	

SCHAUMSPRUDLER 35-10 E







	Fresh Water	Pool Water	Sea Water
Cascade			

CASCADE 50 T TO CASCADE 130 T

These injector nozzles generate a lively full water pattern that changes depending on the water level and accentuates every public area.

Thanks to the injector effect, water and air are suctioned in, mixed intensively and accelerated into the air by the injector jet as an impressive soft flowing fountain. In this process a voluminous fountain that forms a point is generated with relatively low pump capacities.

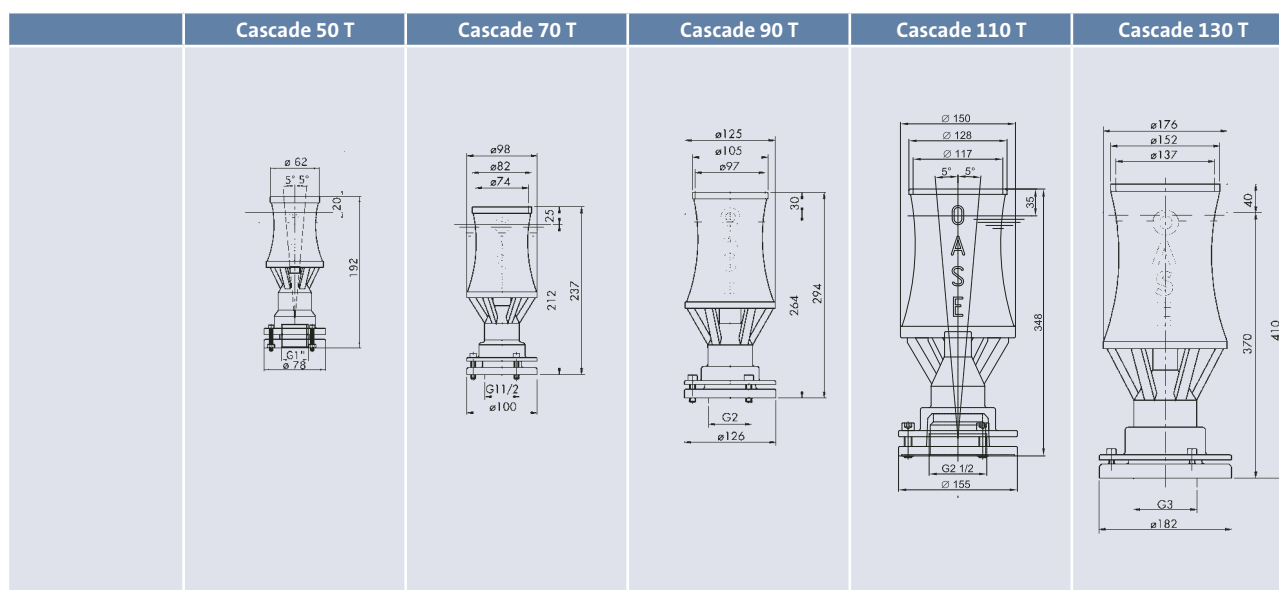
The foam effect nozzles work depending on the water level; they generate a slender and higher water pattern if the normal water level is not reached. If the normal water level is exceeded

the water pattern is fuller and lower. This effect is particularly interesting when there are strong wave movements; then the fountains really start to dance. In installations with a different water level, non-return valves should be provided, otherwise the water level will drop to injector height once the installation is switched off.

Product characteristics at a glance

- Lively water effect
- Foam/spume effect
- Offers oxygen enrichment
- Adjusting flange for alignment
- Water pattern is water-level dependent





		Cascade 50 T		Cascade 70 T		Cascade 90 T		Cascade 110 T		Cascade 130 T	
Dimensions (Ø x H mm)		78 x 192		100 x 237		125 x 294		149 x 346		176 x 410	
Fountain height		DWB	DDB	DWB	DDB	DWB	DDB	DWB	DDB	DWB	DDB
		l/min	bar	l/min	bar	l/min	bar	l/min	bar	l/min	bar
0.25	[m]	28	0.18								
0.50	[m]	34	0.26	79	0.27						
0.75	[m]	39	0.33	88	0.33	141	0.27				
1.00	[m]	43	0.41	97	0.40	157	0.33	236	0.36	379	0.36
1.50	[m]	51	0.57	111	0.53	184	0.46	279	0.48	437	0.48
2.00	[m]	58	0.73	124	0.66	208	0.58	317	0.60	488	0.60
2.50	[m]	69	1.04	136	0.79	229	0.71	351	0.72	534	0.72
3.00	[m]	74	1.20	147	0.92	249	0.83	382	0.84	577	0.84
4.00	[m]	79	1.36	166	1.18	284	1.08	437	1.07	654	1.07
5.00	[m]	88	1.68	184	1.44	315	1.34	486	1.34	723	1.34
6.00	[m]			200	1.71	344	1.59	531	1.55	786	1.55
7.00	[m]			215	1.97	370	1.85	572	1.79	845	1.79
8.00	[m]					395	2.10	611	2.04	900	2.04
10.00	[m]					441	2.61	682	2.52	1001	2.52
12.00	[m]							747	3.01	1094	3.01
14.00	[m]							806	3.50	1180	3.50
16.00	[m]									1260	3.99
18.00	[m]									1336	4.49
20.00	[m]									1408	4.99
Material		Tombac									
Weight	[kg]	1.0		2.4		3.6		7.0		11.0	
Order no.		50911		50912		50915		50916		50917	

CASCADE 130 T

